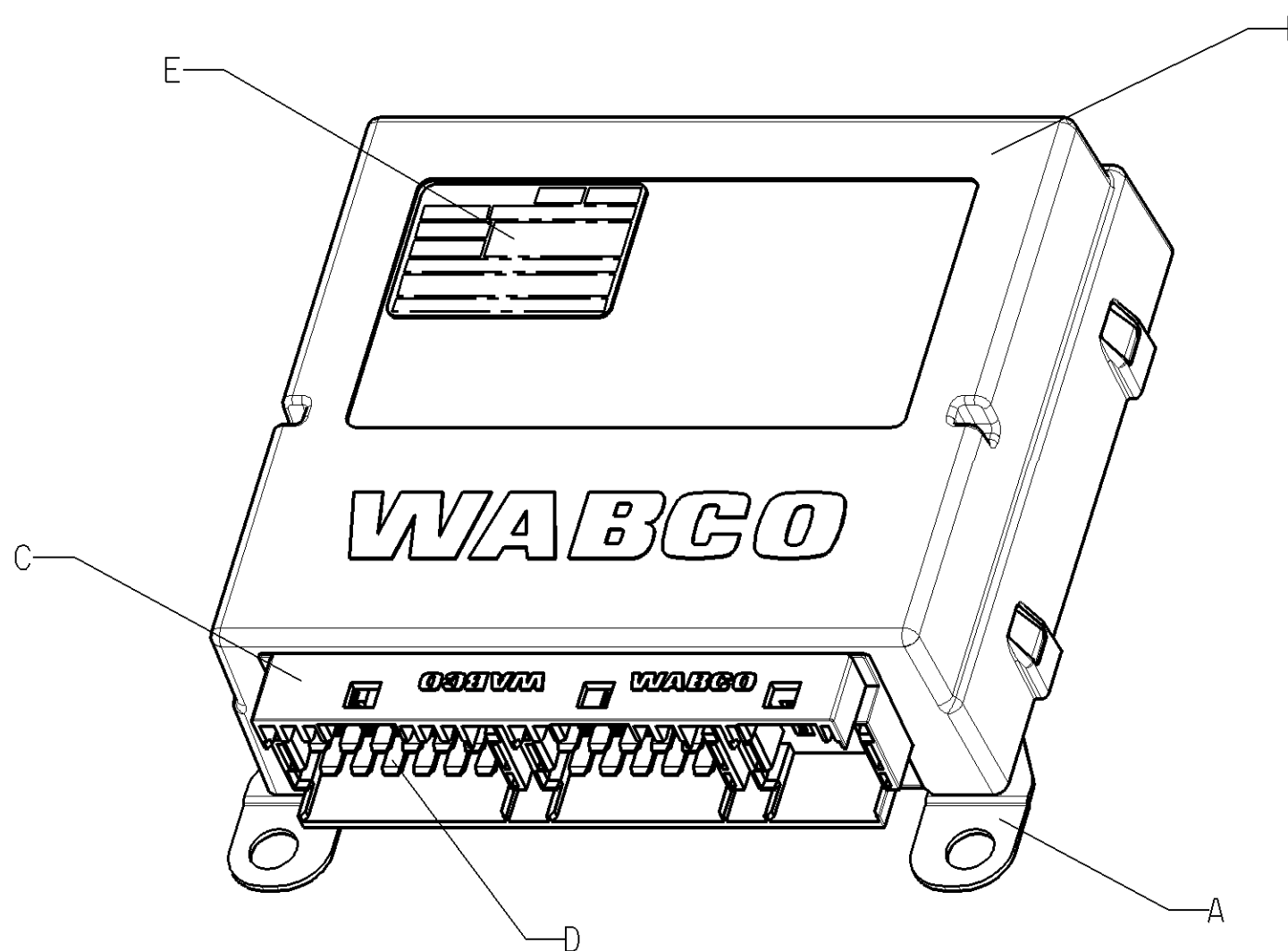
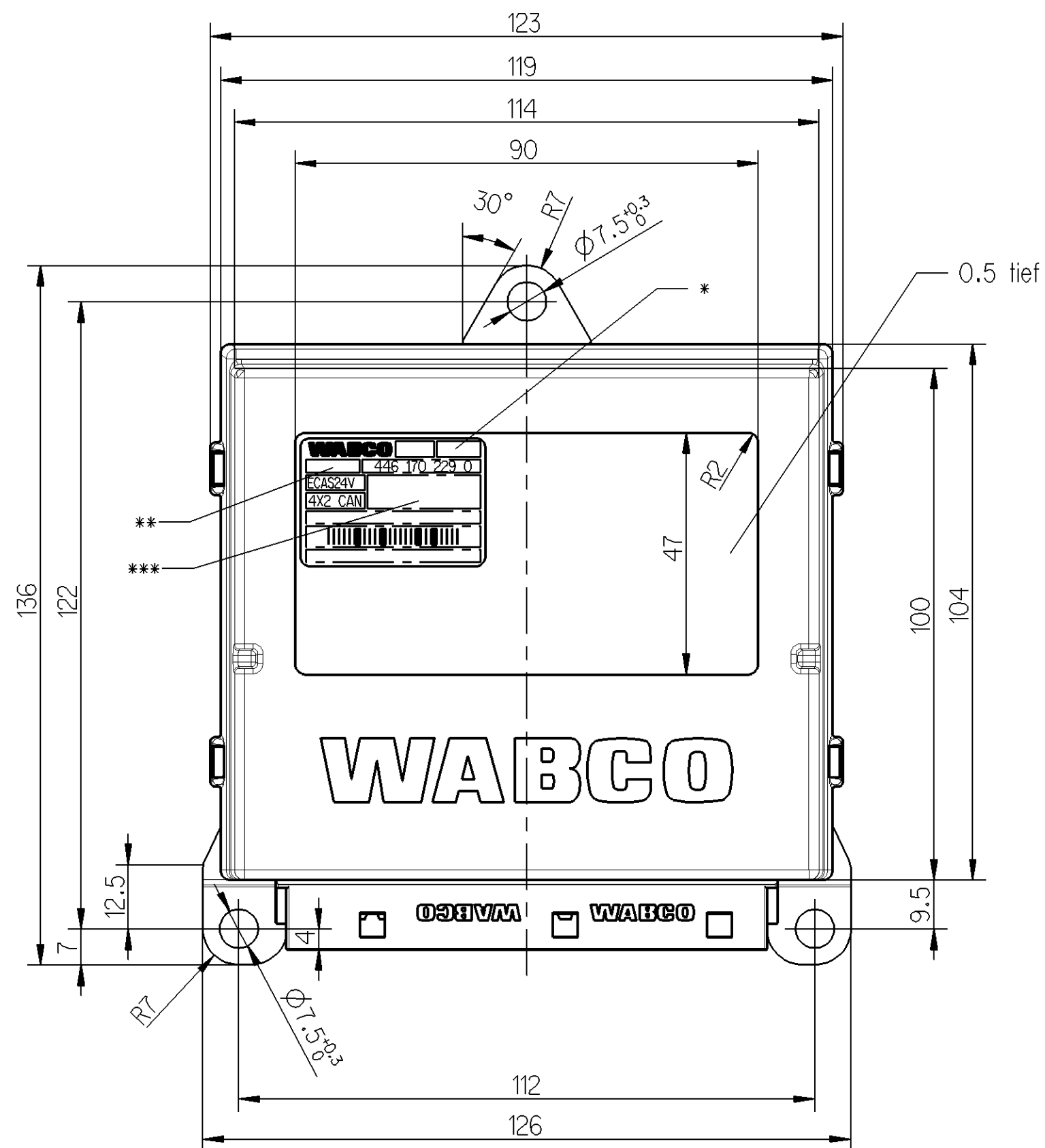
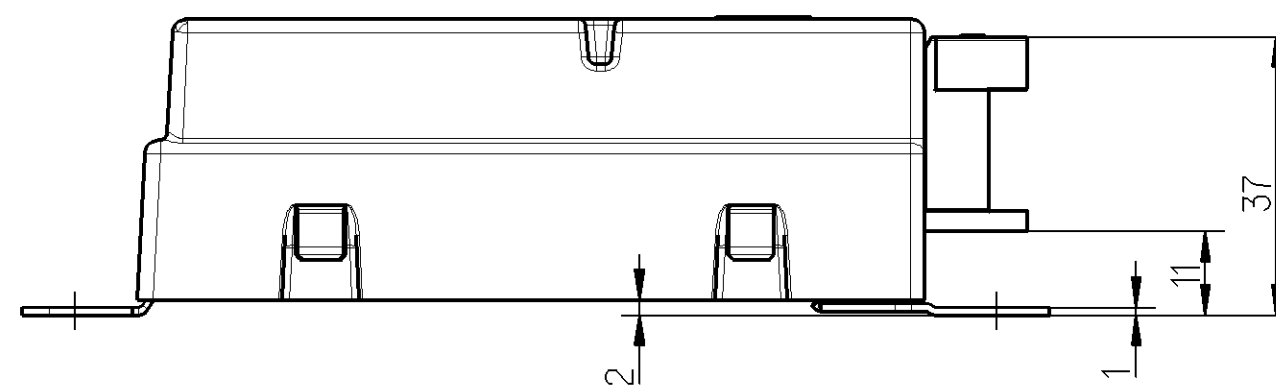
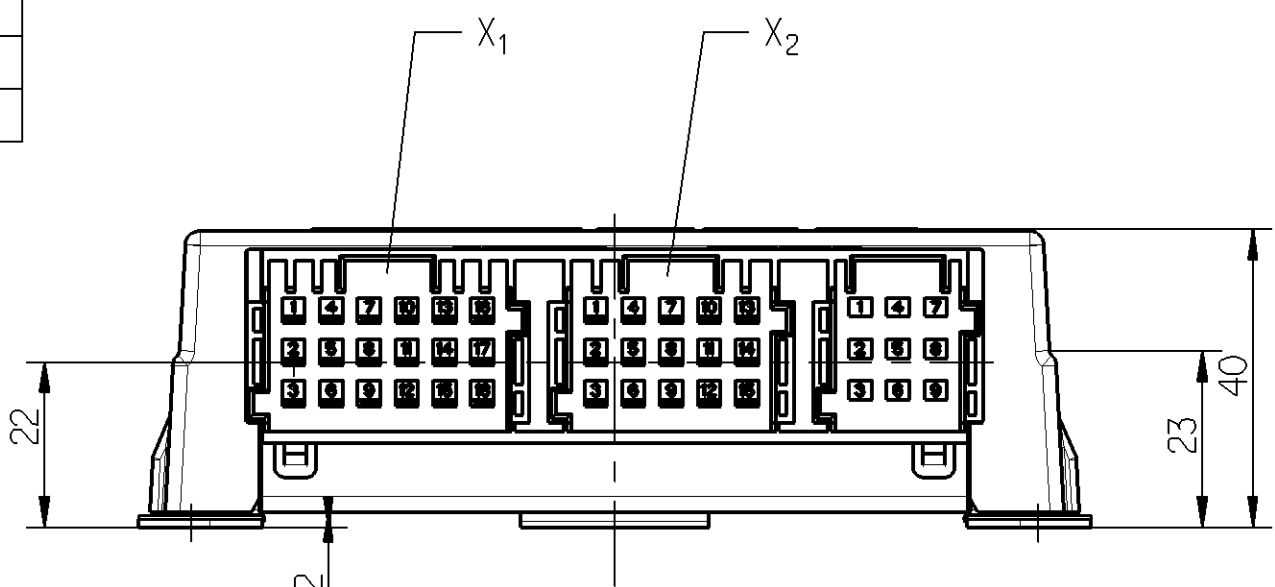


A	ZINC COATED STEEL	JED-585-2
B	ABS	JED-465-5
C	PBT GF20	JED-375-1
D	TIN-PLATED COPPER	JED-570-545
E	POLYESTER	



DATE OF MANUFACTURE:
 * HERSTELLDATUM: JED-226
 DATE DE FABRICATION:
 DATA DI FABBRICAZIONE:

SERIAL NUMBER GREATER THAN:
 ** FORTSCHRITZAHL. GROESSER ALS: 0
 NUMERO DE SERIE PLUS GRAND QUE:
 NUMERO DI SERIE PIU GRANDE DI:

INSPECTION MARK:
 *** PRUEFZEICHEN: (E1) 10R-032063
 MARQUE DE CONTROLE:
 STAMPA DI COLLAUDO:

VOLTAGE:
 SPANNUNG: 22 V ... 32 V DC
 TENSION:
 TENSIONE:

THERMAL RANGE OF APPLICATION:
 THERMISCHER ANWENDUNGSBEREICH: -40 °C ... +75 °C
 GAMME D'APPLICATION THERMIQUE:
 CAMPO TERMICO D'APPLICAZIONE:

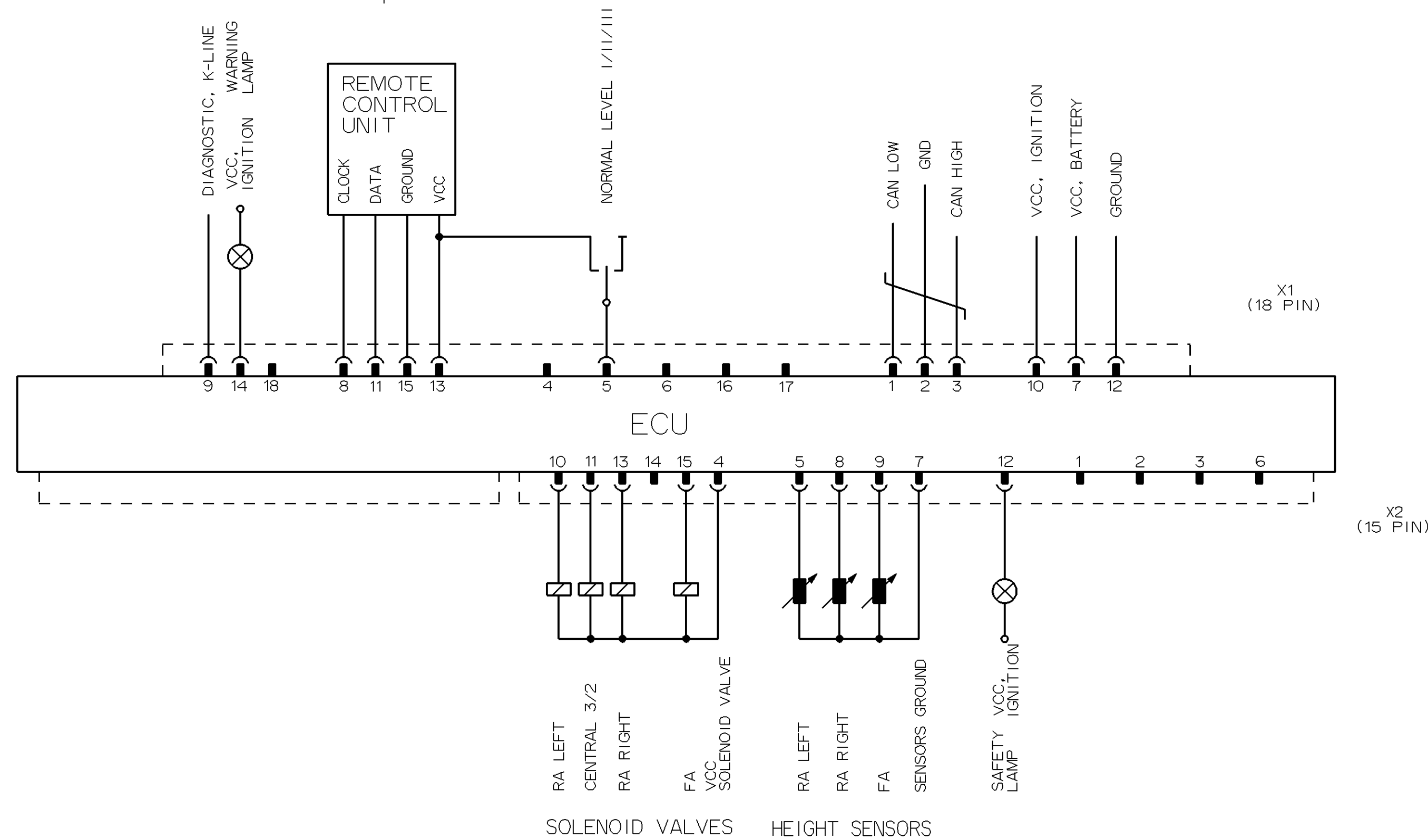
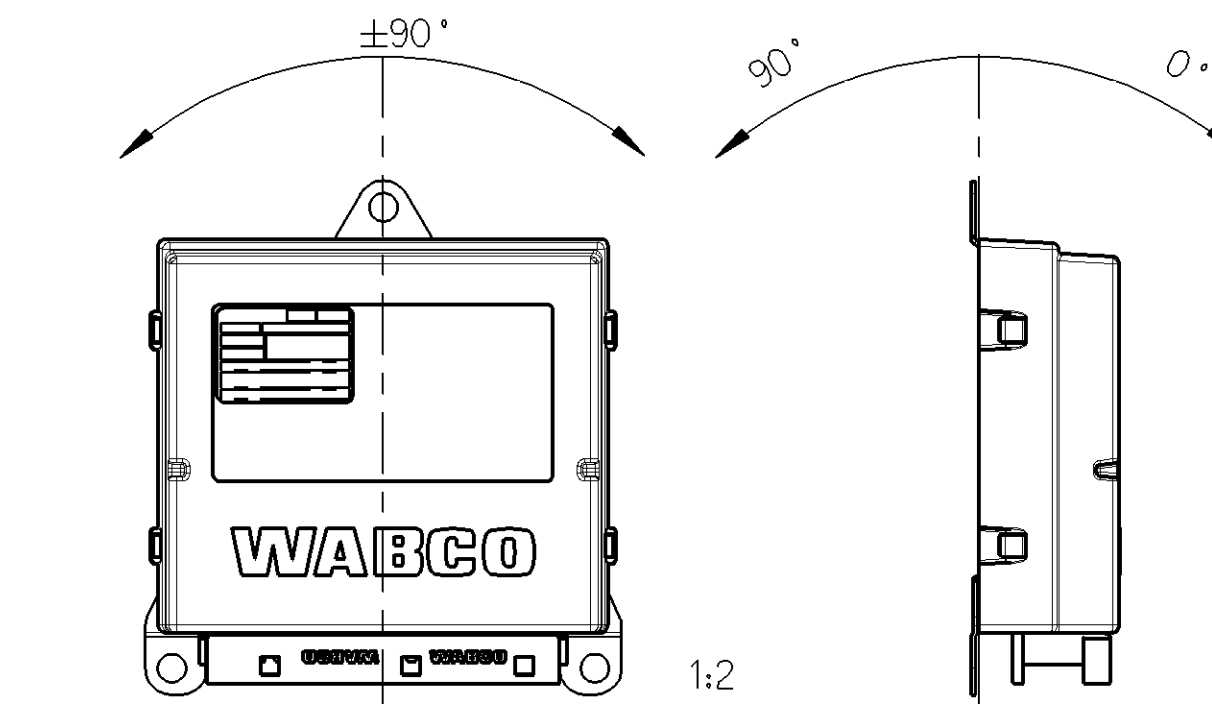
STORAGE TEMPERATURE:
 LAGERTEMPERATUR: -40 °C ... +90 °C
 TEMPERATURE DE STOCKAGE:
 TEMPERATURA DI IMMAGAZZINAMENTO:

DEGREE OF PROTECTION:
 SCHUTZART: IP 30 (IEC 529)
 DEGRE DE PROTECTION:
 GRADO DI PROTEZIONE:

FURTHER TECHNICAL DATA SEE PRODUCT SPECIFICATION:
 WEITERE TECHNISCHE DATEN SIEHE PRODUKTSPEZIFIKATION 446 170 229 0 (DOC. CODE 035)
 (INDEX BEACHTEN):
 POUR AUTRES DONNEES TECHNIQUES VOIR SPECIFICATION DU PRODUIT:
 PER ULTERIORI DATI TECNICI VEDERE SPECIFICA DI PRODOTTO:

FINISHING VARNISH ON THE PRINTED BOARD:
 UEBERZUGSLACK AUF DER LEITERPLATTE: JED-543
 VERNIS ENDUIT SUR CARTE IMPRIMEE:
 VERNICE DI RIVESTIMENTO SULLA PIASTRA STAMPTA:

INSTALLATION POSITION:
 EINBAULAGE:
 POSITION D'INSTALLATION:
 POSIZIONE DI MONTAGGIO:



General Specification JED-334-0		Copyright WABCO®		WABCO	
Further Technical Data:		Date	Signature	ELECTRONIC ELEKTRONIK ECAS 4x2 CAN	
Doc. Code:	Sheet: To	2013-01-11	Slawinski	ELECTRONIQUE ELECTRONICA	
General Tolerances JED-261		Checked	Lentz	ELETTRONICA	
Range of Nominal Dimensions (± mm)		Expert JOVERS		Material No. 446 170 229 0	
Class 1)	≤ 50 > 50 > 180 > 400	Mises		Date of first issue: 2013-01-16	
Fine	0.5 1.0 1.5 2.0	Scale	1:1 (1:2)	Doc.Code	005
Medium	1.0 2.0 3.0 4.0	Size	A 1	Language	ML
Course	2.0 3.5 5.0 6.5	Size	Pro/E	Sheet	1/1
Tapped Holes acc.:		ECN No.	Revision	Techn. Resp.	6650
1) Tolerance Class Applied Crossmarked		-		Replacement for	446 170 211 0

This communication or reproduction of its content is prohibited without the written consent of WABCO. All rights reserved. WABCO and the WABCO logo are registered trademarks of WABCO. The use of the WABCO logo is prohibited without the written consent of WABCO.