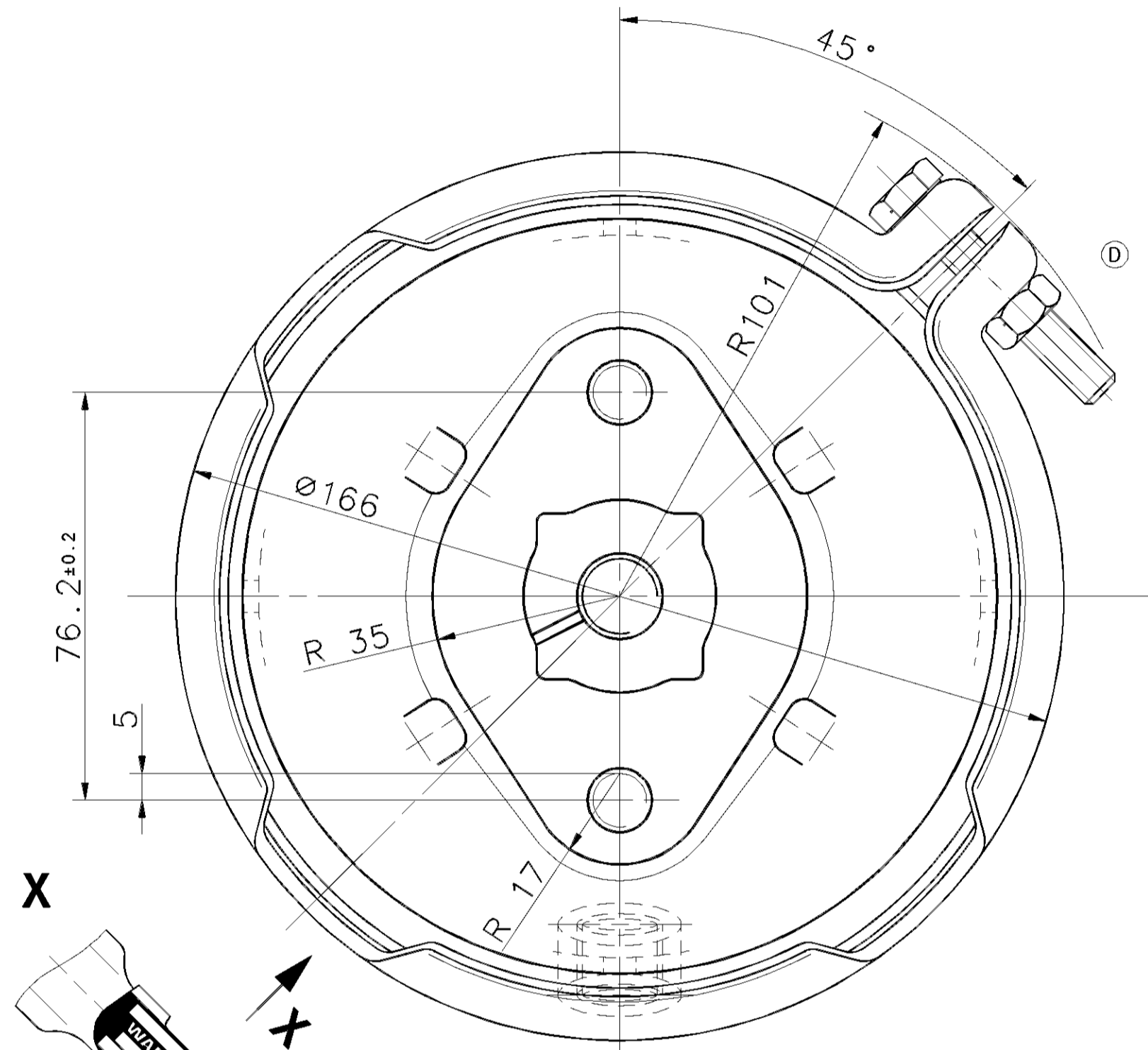
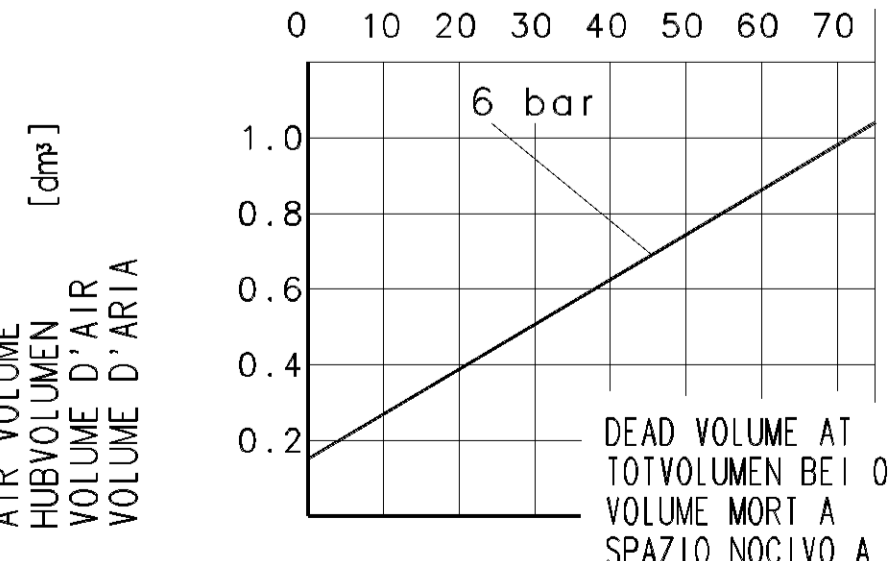
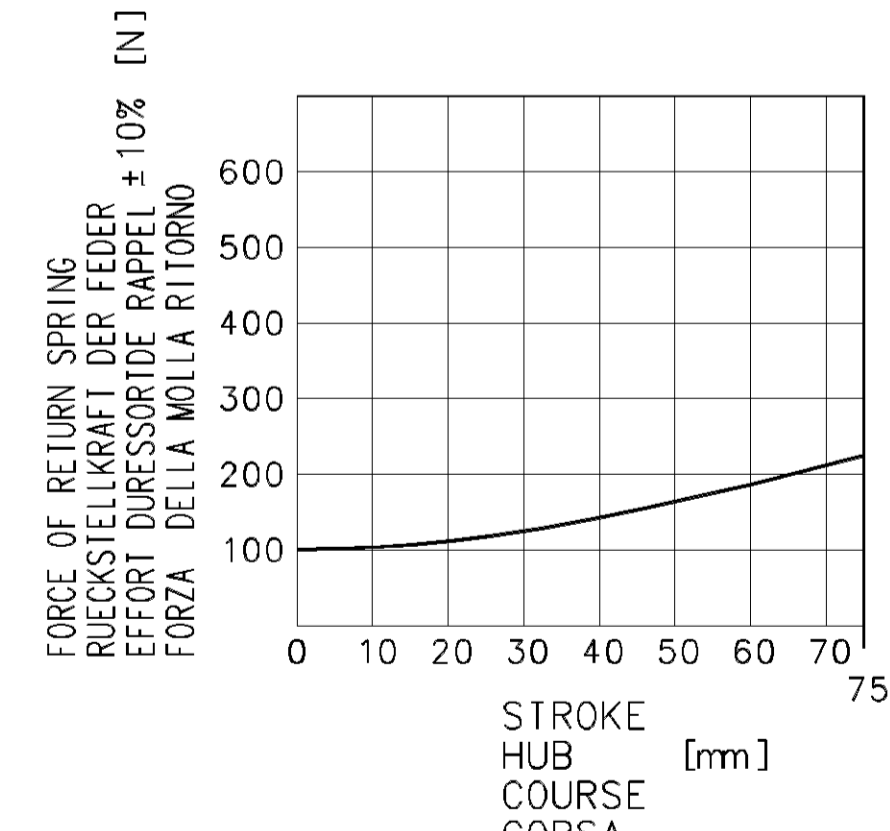
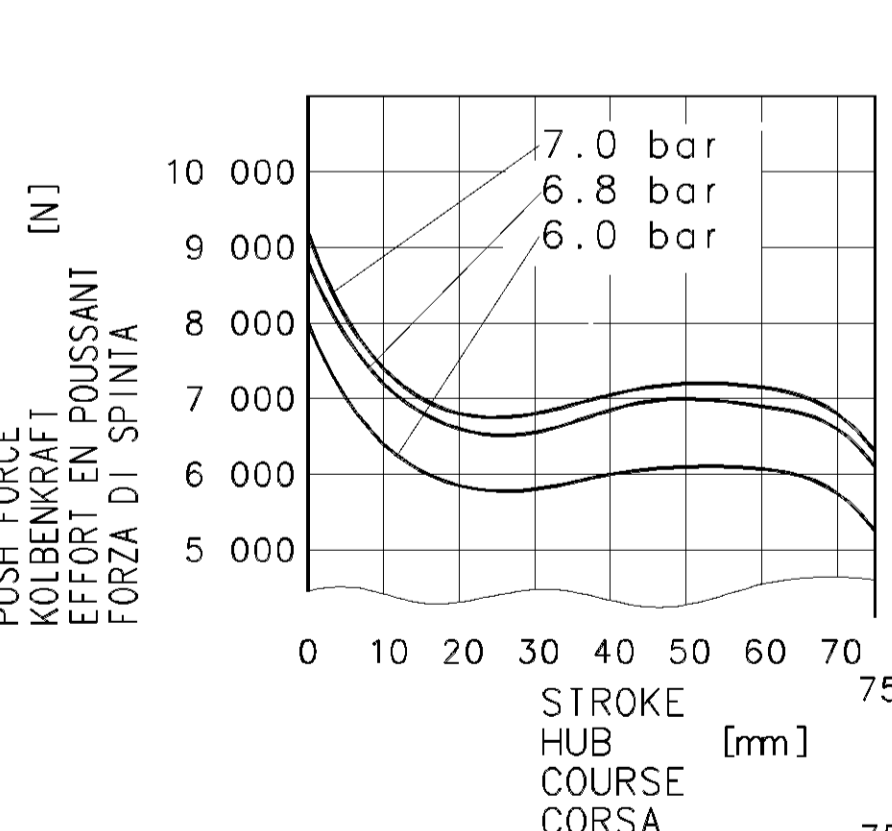


I	JED-240-3
II	JED-256-1
III	JED-371

14 f8 -0.016
-0.043

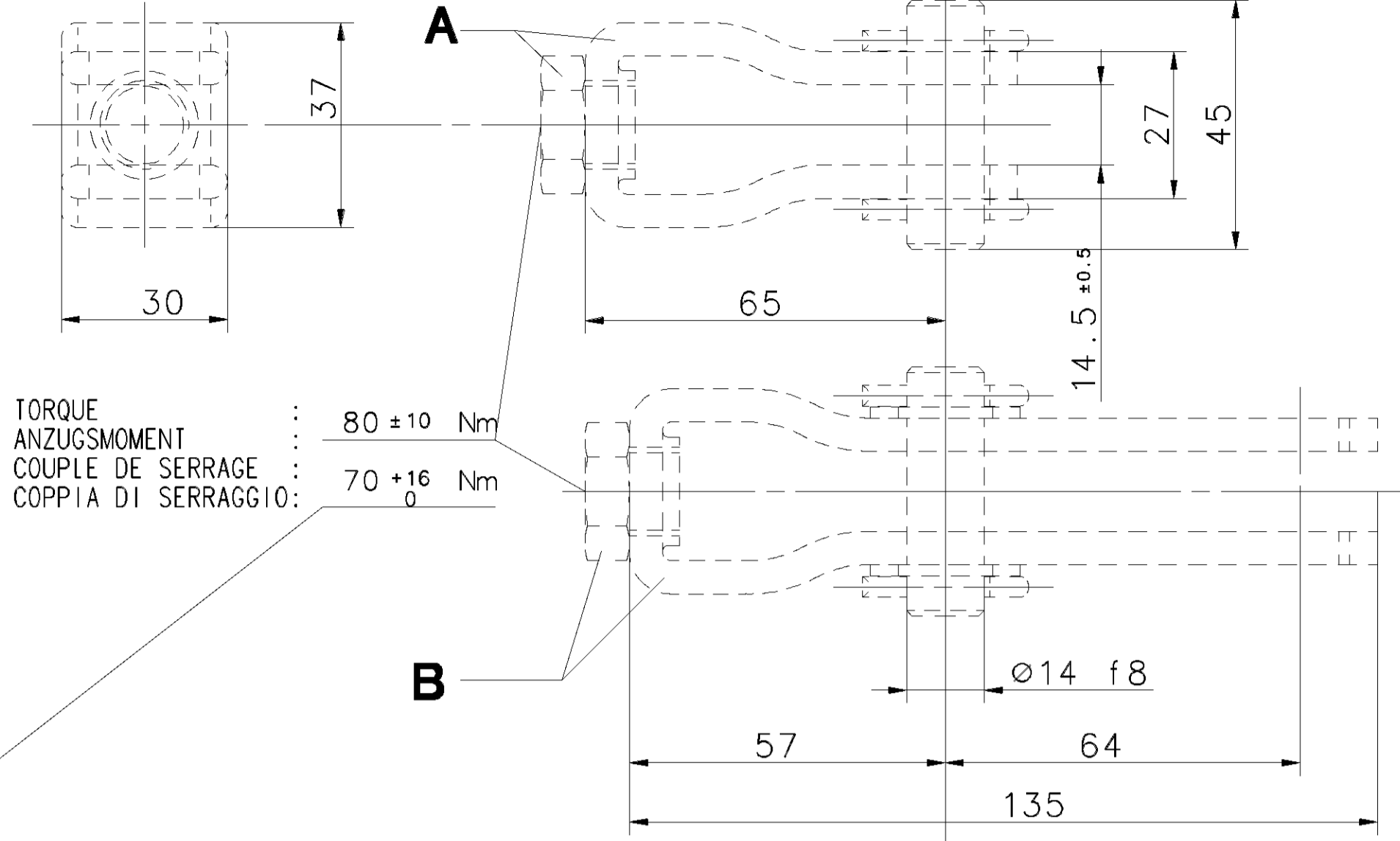
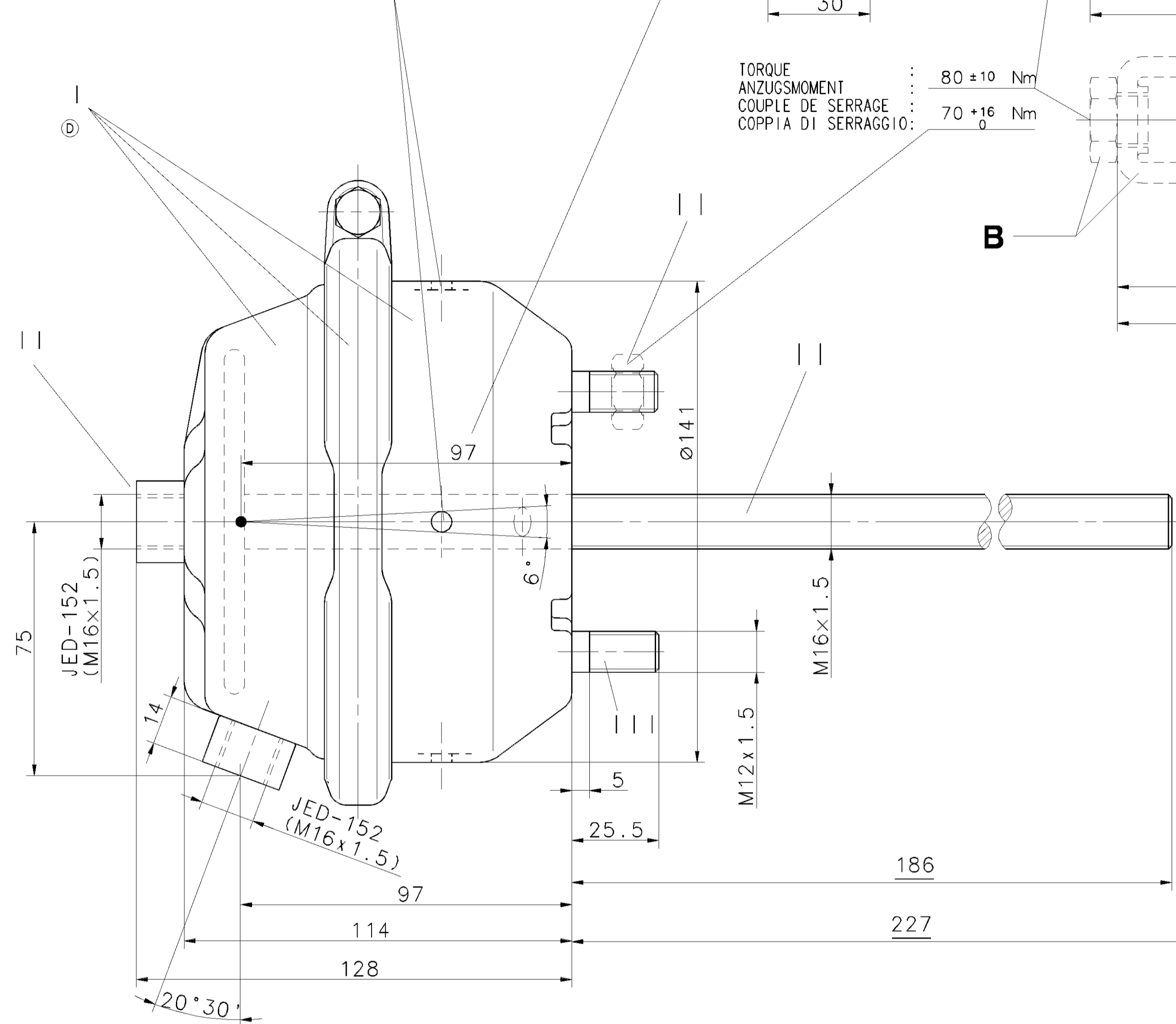


**) TO BE INSTALLED WITH LOWER BREATHER HOLE
IM EINBAUZUSTAND UNTERE ATMUNGSBOHRUNG ±30°
A MONTER AVEC LE RENIFLARD INFÉRIEUR
INSTALLAZIONE : CON IL FORO DI SFIATO INFERIORE



THEORETICAL SWIVEL POINT OF THE PUSH ROD
THEOR. SCHWENKPUNKT DER DRUCKSTANGE
CENTRE D'ARTICULATION THEORIQUE DE LA TIGE
CENTRO D'ARTICOLAZIONE TEORICO DELL'ASTA

BREATHER HOLES
ATMUNGSBOHRUNGEN 4 x Ø 6
TROUS DE RENIFLANT
FORI DI RESPIRATORE



TORQUE
ANZUGSMOMENT : 80 ± 10 Nm
COUPLE DE SERRAGE : 70 +16 / 0 Nm
COPPIA DI SERRAGGIO:

STROKE :
HUB : 75 mm
COURSE :
CORSA :

EXTERNAL STROKE LIMIT
HUBBEGRENZUNG EXTERN
LIMITE DE COURSE EXTERNE
LIMITAZIONE DI CORSA ESTERNO

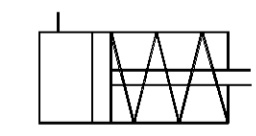
THERMAL RANGE OF APPLICATION : -40° C. +80° C
THERMISCHER ANWENDUNGSBEREICH :
GAMME D'APPLICATION THERMIQUE :
CAMPO DI APPLICAZIONE TERMICA :

SERVICE PRESSURE :
BETRIEBSDRUCK : pe = max. 8.5 bar
PRESSION DE SERVICE :
PRESSIONE D'ESERCIZIO :

MEDIUM : AIR
MEDIUM : LUFT
FLUIDE : AIR
FLUIDO : ARIA

ADMISSIBLE INSTALLATION POSITION
ZULAESSIGE EINBAULAGE +90°
POSITION D'INSTALLATION ADMISE -60°
POSIZIONE DI MONTAGGIO AMMESSA

*) BY-PACKING : A 423 902 533 2 ON SPECIAL ORDER ONLY
BEIPACK : A 423 902 533 2 NUR AUF BESTELLUNG
PAQUET JOINT : B 423 902 534 2 SUR COMMANDE SEULEMENT
PACKO RIUNCHIUSO : B 423 902 534 2 SU ORDINAZIONE SOLAMENTE



GENERAL SPECIFICATION: JED-334		CADAM-DRAWING COPYRIGHT			
FURTHER TECHNICAL DATA:		DATE	SIGNATURE		
DOC. CODE:	SHEET: TO	00-05-25	Ghafari		
GENERAL TOLERANCES		CHECKED:	00-05-25 Mueller		
RANGE OF NOMINAL DIMENSIONS (± mm)		STANDARDIZATION:			
CLASS 1)	≤50	≤50	≤180	≤400	>400
FINE	0,5	1,0	1,5	2,0	
MEDIUM	1,0	2,0	3,0	4,0	± 3'
COARSE	2,0	3,5	5,0	6,5	
TAPPED HOLES ACC. ISO 4039 / JED-152		DDH-NO.	REV.	DATE	
1) TOLERANCE CLASS APPLIED CROSSMARKED		A 1	185		
GENERAL SPECIFICATION: JED-334		PRODUCT IDENTIFICATION NO.		DOC. CODE	SHEET
FURTHER TECHNICAL DATA:		423 104 900 0		605	1/1
MASS SCALE		REPLACEMENT FOR			
2,5 kg 1:1		SHAPE CODE			
077632 2xD 00-11-14		534			
075390 C 00-05-25					
EXPERT CODE 723		PRODUCT TYPE 010			