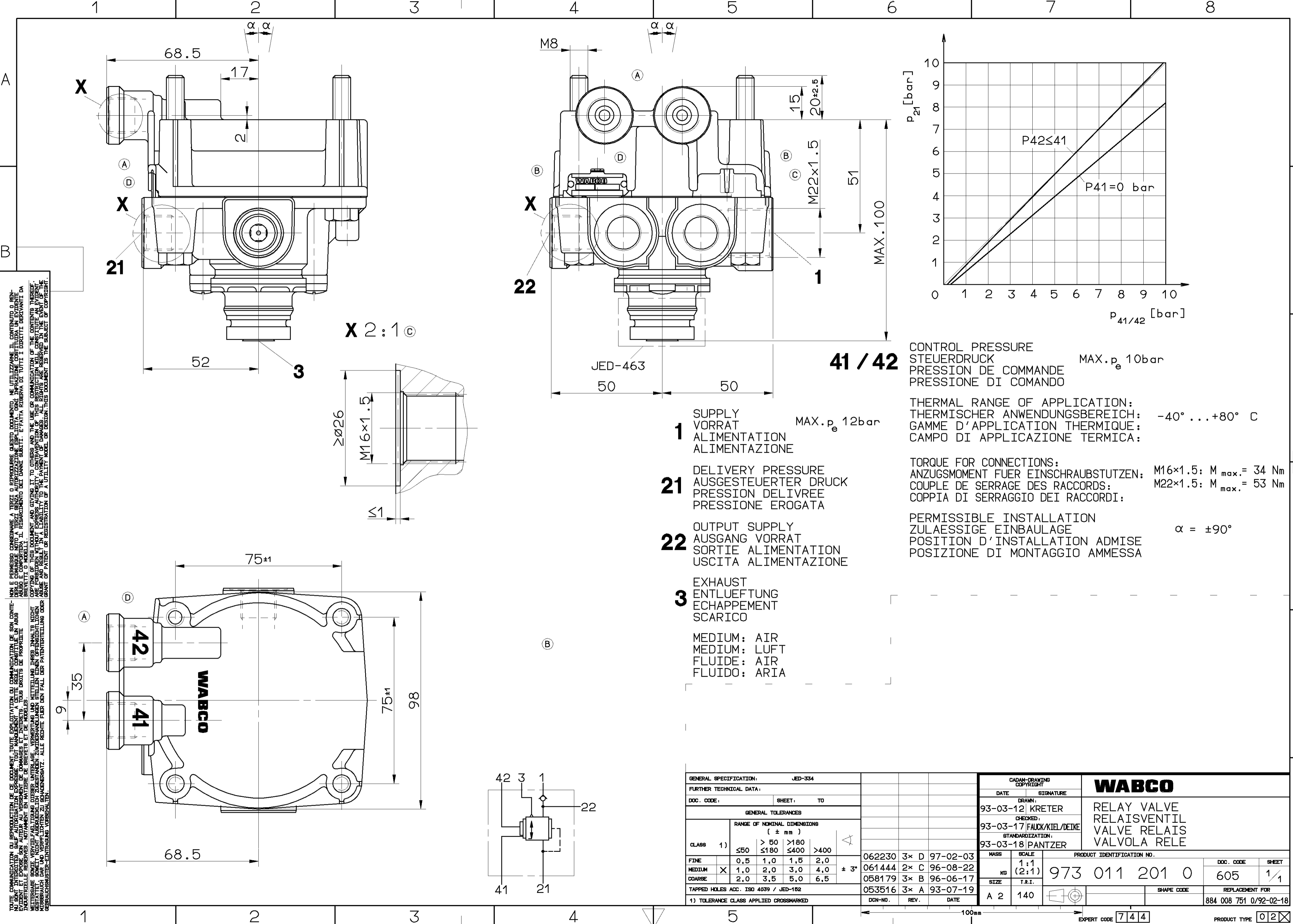


NON È PERMESSO CONSERVARE A TERZI O RIPRODURRE QUESTO DOCUMENTO. NE UTILIZZARE IL CONTENUTO O RES-
 INDICARE IL NOME DELLA SOCIETÀ PER UN'ALTRA APPLICAZIONE. È FATTIVA LA RESPONSABILITÀ DELL'USO. È
 BREVEVETI O MODELLI.
 COPIING OF THIS DOCUMENT AND GIVING IT TO OTHERS AND THE USE OF COMMUNICATION OF THE CONTENTS THEREOF,
 WITHOUT THE WRITTEN PERMISSION OF WABCO, IS PROHIBITED. ALL RIGHTS ARE RESERVED IN THE EVENT OF THE
 MISUSE AND RESULT IN A LIABILITY TO THE PAYMENT OF DAMAGES. ALL RIGHTS ARE RESERVED IN THE EVENT OF THE
 GRANT OF PATENT OR REGISTRATION OF A UTILITY MODEL OR DESIGN. THIS DOCUMENT IS THE SUBJECT OF COPYRIGHT.



GENERAL SPECIFICATION:		JED-334		CADAM-DRAWING COPYRIGHT		WABCO	
FURTHER TECHNICAL DATA:		DOC. CODE: SHEET. TO		DATE: SIGNATURE		RELAY VALVE	
GENERAL TOLERANCES		CLASS 1)		DRAWN: 93-03-12 KRETER		RELAISVENTIL	
RANGE OF NOMINAL DIMENSIONS (± mm)		FINE		CHECKED: 93-03-17 FAUCK/KIEL/DEIKE		VALVE RELAIS	
≤50		0.5		STANDARDIZATION: 93-03-18 PANTZER		VALVOLA RELE	
>50		1.0		MASS		973 011 201 0	
≤180		2.0		SCALE		DOC. CODE	
>180		3.0		1:1		605	
>400		4.0		(2:1)		SHEET	
± 3°		6.5		SIZE		1/1	
TAPPED HOLES ACC. ISO 4039 / JED-182		053516		T.R.I.		REPLACEMENT FOR	
1) TOLERANCE CLASS APPLIED CROSSMARKED		062230		A 2		884 008 751 0/92-02-18	
		061444		140		PRODUCT IDENTIFICATION NO.	
		058179		140		SHAPE CODE	
		053516		140		REPLACEMENT FOR	
		053516		140		884 008 751 0/92-02-18	
		053516		140		PRODUCT IDENTIFICATION NO.	
		053516		140		SHAPE CODE	
		053516		140		REPLACEMENT FOR	
		053516		140		884 008 751 0/92-02-18	

1809/012/201.93
605/603