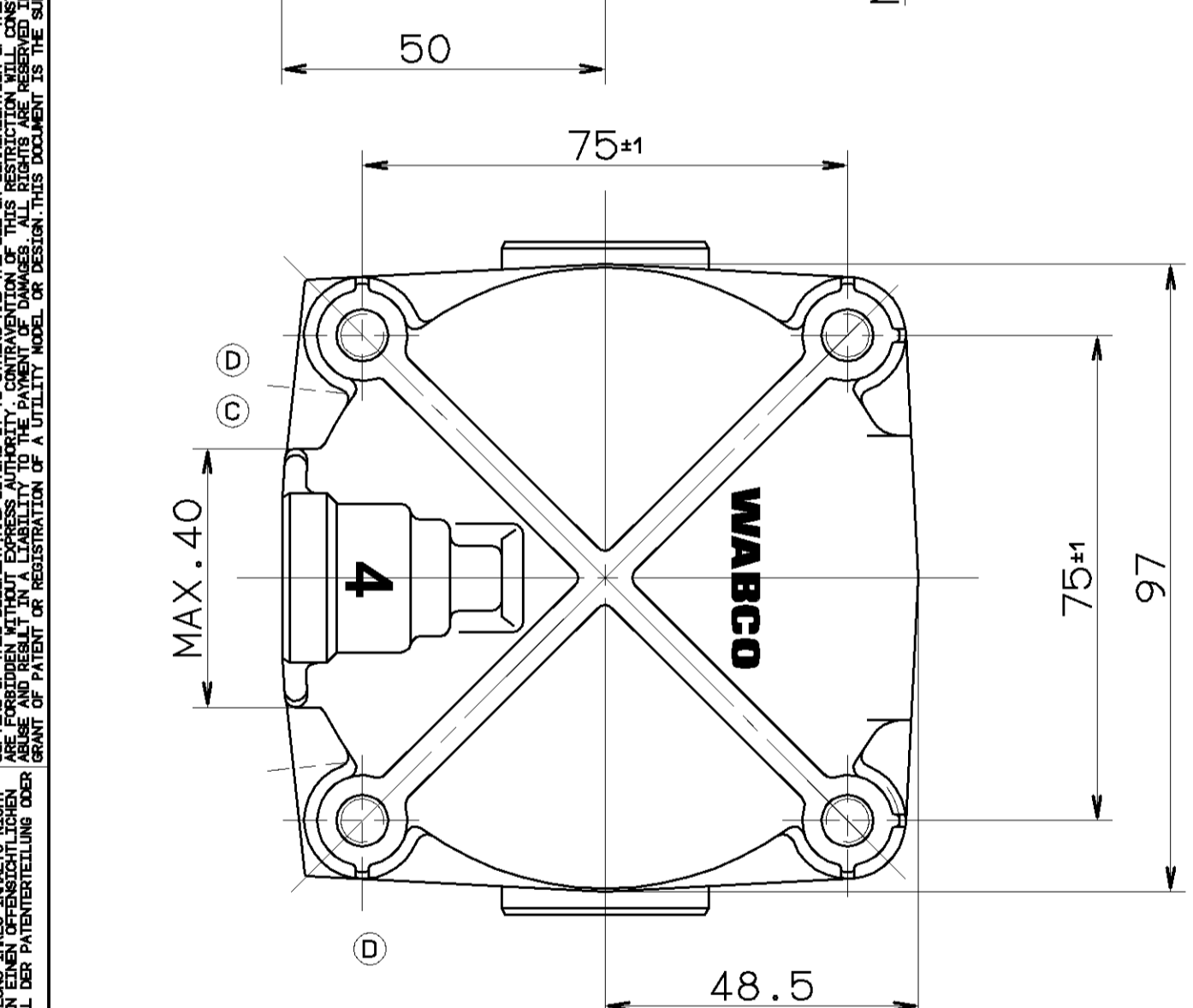
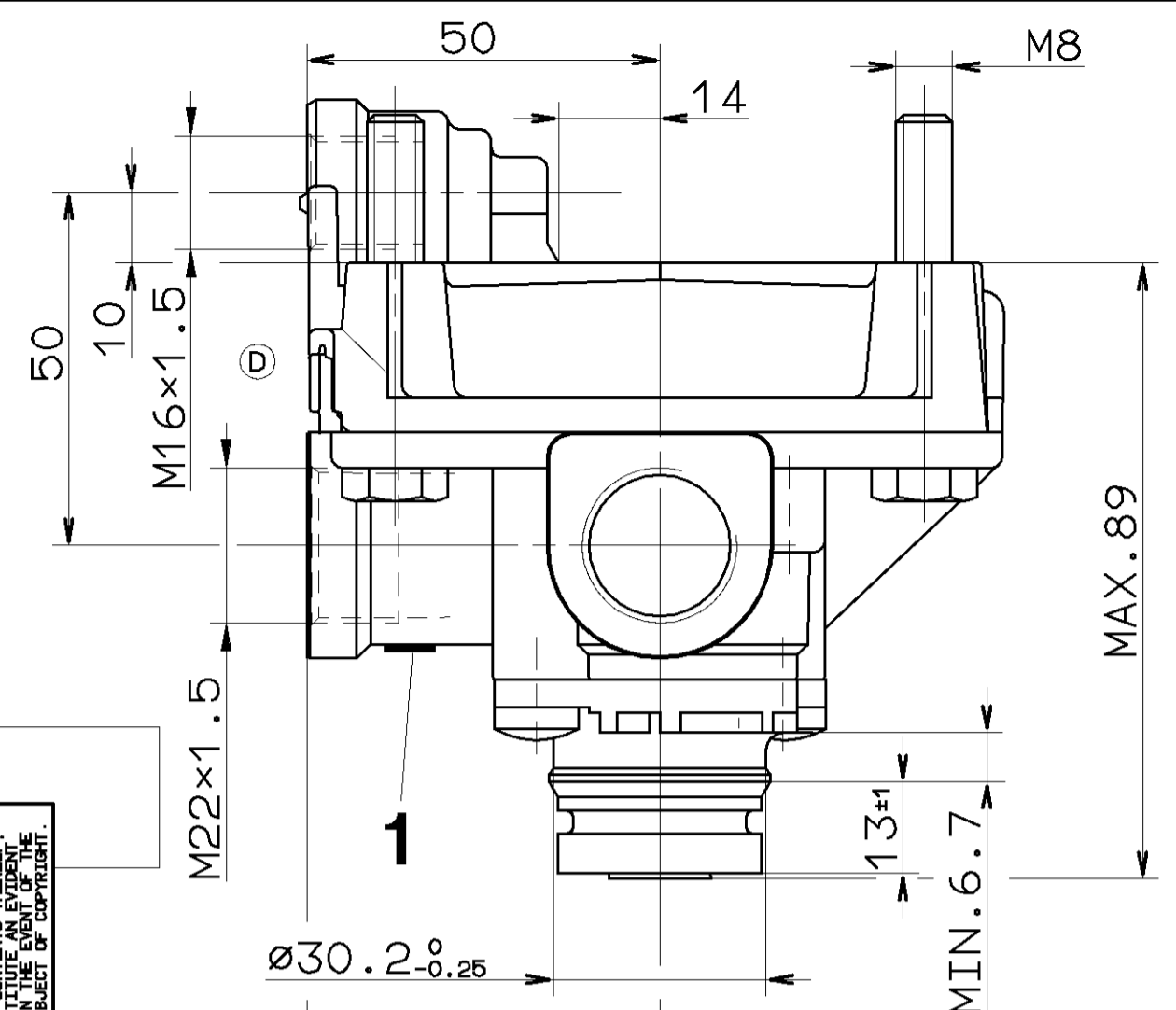


NON È PERMESSO CONSERVARE A TERZI O RIPRODURRE QUESTO DOCUMENTO. NE UTILIZZARE IL CONTENUTO O RES-
 ABBANDONARE IL DIRITTO DI PROPRIETÀ. IL RESERVATO DEL DANNI SUBITO. È FATTA RISERVA DA TUTTI I DIRITTI RISERVATI DA
 BREVETTI O MODELLI.
 COPIING OF THIS DOCUMENT AND GIVING IT TO OTHERS AND THE USE OF COMMUNICATION OF THE CONTENTS THEREOF,
 WITHOUT THE WRITTEN PERMISSION OF WABCO, IS PROHIBITED. WABCO ASSUMES NO LIABILITY FOR DAMAGES OF ANY KIND
 ARISING FROM THE USE OF THIS DOCUMENT. ALL RIGHTS ARE RESERVED IN THE EVENT OF THE GRANT OF PATENT OR COPYRIGHT.
 TOUTE COMMUNICATION OU REPRODUCTION DE CE DOCUMENT, TOUTE EXPLOITATION OU COMMUNICATION DE SON CONTE-
 NUT ET ENCORE SAN AUTEUR AU VISEMENT DE DOMMAGES ET INTERETS A TOUTS DROITS DE PROPRIÉTÉ
 INDUSTRIELLE RÉSERVÉS. NOTAMMENT EN MATIÈRE DE BREVETS ET DE MODÈLES.
 WABCO ASSUME AUCUNE RESPONSABILITÉ ENVERS AUTRUI EN MATIÈRE DE DOMMAGES D'UN QUOI QUELLES
 MISE EN ŒUVRE DE CE DOCUMENT. TOUTES DROITS SONT RÉSERVÉS EN CAS DE BREVETS OU DE DROITS DE PROPRIÉTÉ
 INDUSTRIELLE.



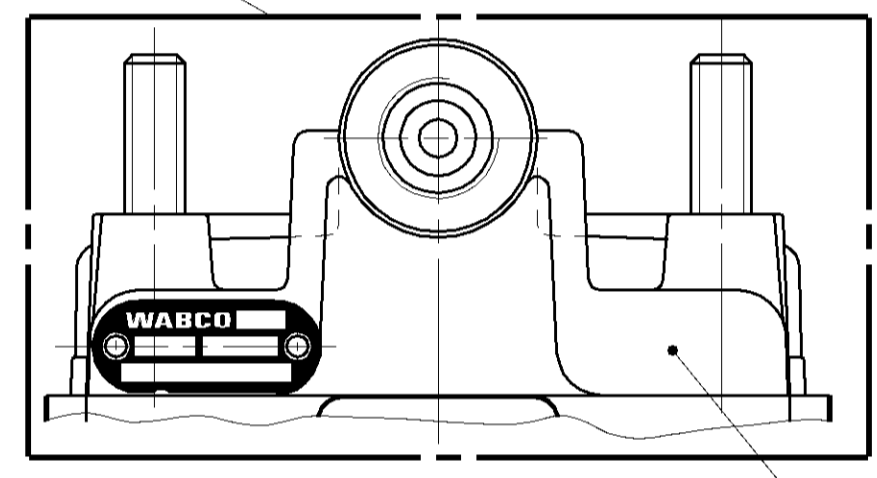
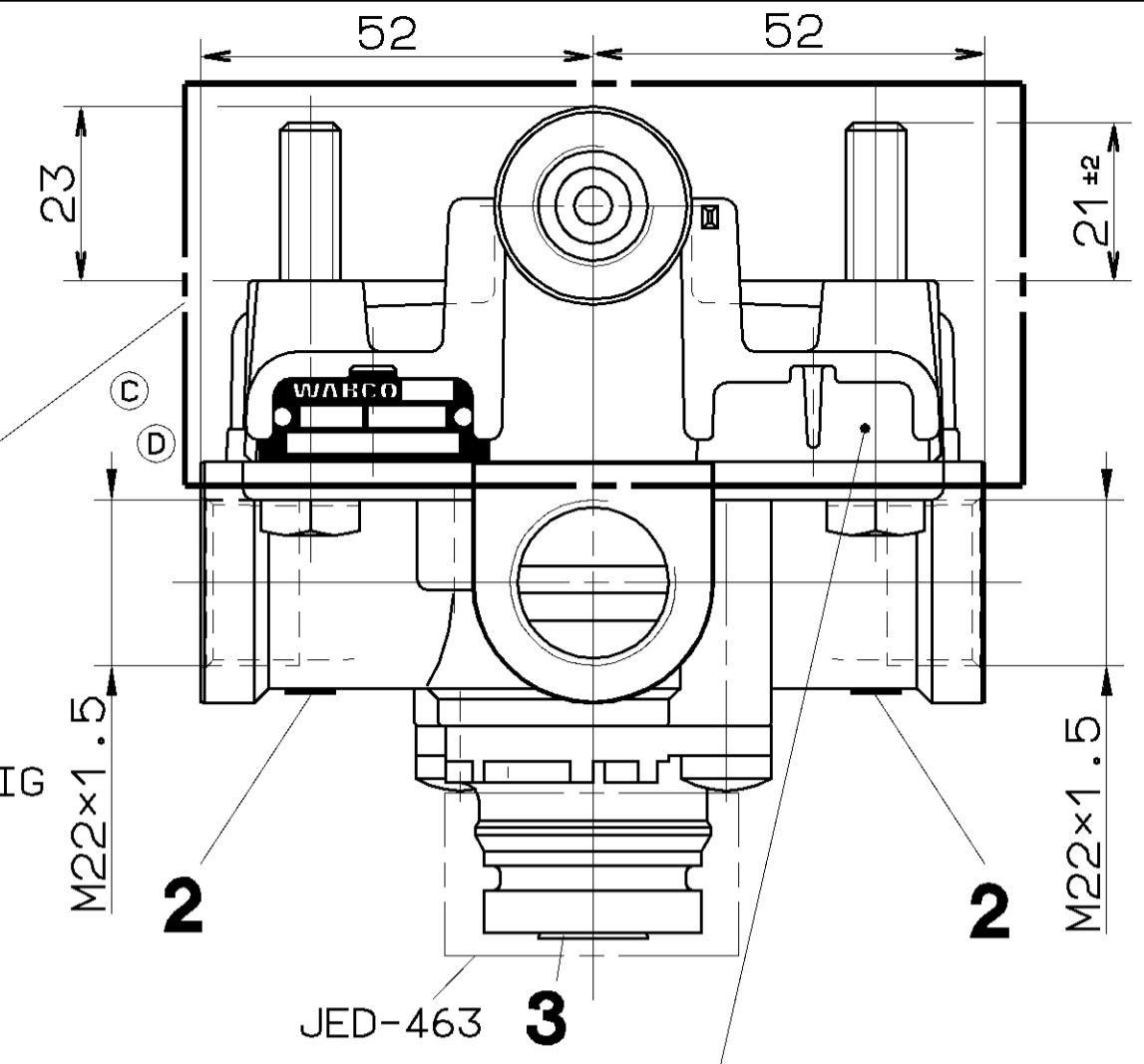
MEDIUM: AIR
 MEDIUM: LUFT
 FLUIDE: AIR
 FLUIDO: ARIA

WORKING PRESSURE:
 BETRIEBSDRUCK: MAX. $p_e = 10 \text{ bar}$
 PRESSION DE SERVICE:
 PRESSIONE D'ESERCIZIO:

THERMAL RANGE OF APPLICATION:
 THERMISCHER ANWENDUNGSBEREICH: $-40^\circ \dots +80^\circ \text{ C}$
 GAMME D'APPLICATION THERMIQUE:
 CAMPO DI APPLICAZIONE TERMICA:

TORQUE FOR CONNECTIONS:
 ANZUGSMOMENT FUER EINSCHRAUBSTUTZEN: M16x1.5: $M_{max.} = 34 \text{ Nm}$
 COUPLE DE SERRAGE DES RACCORDS: M22x1.5: $M_{max.} = 53 \text{ Nm}$
 COPPIA DI SERRAGGIO DEI RACCORDI:

DESIGN PERMISSIBLE
 AUSFUEHRUNG ZULAESSIG
 REALISATION ADMISE
 DISEGNO AMMISSIBILE

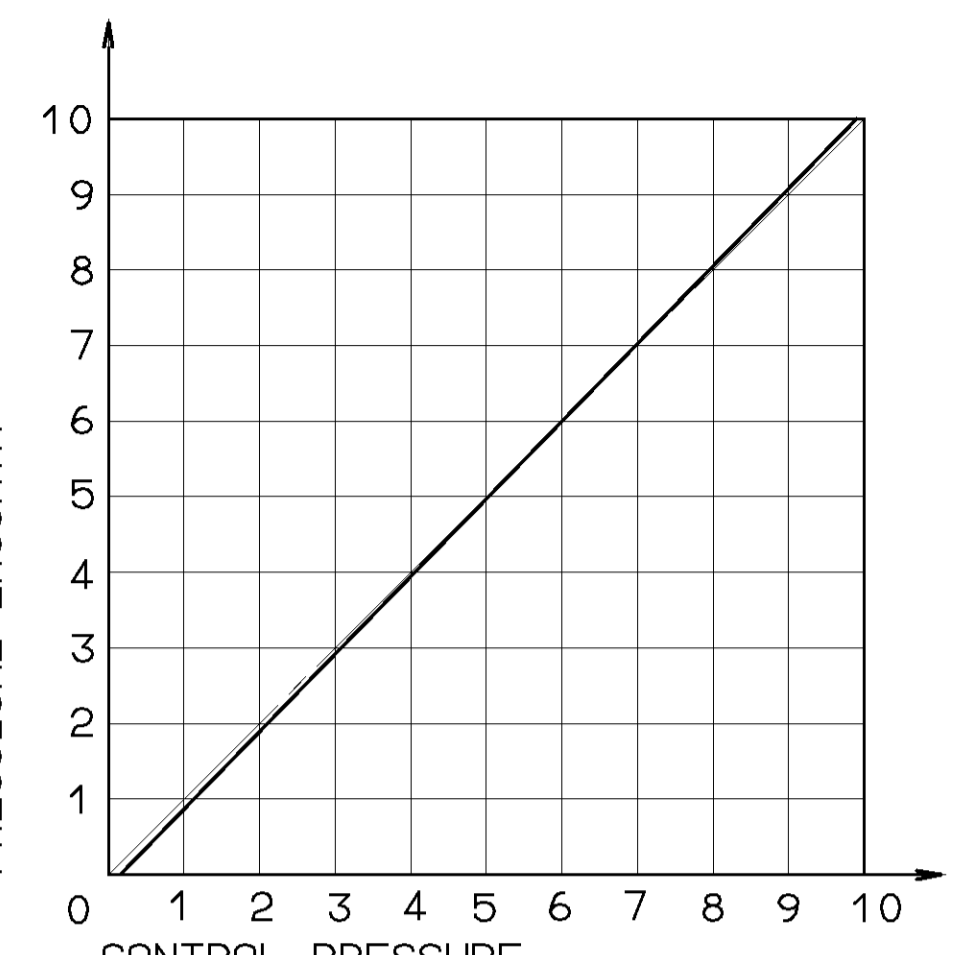


AREA FOR NAME PLATE CUSTOMER
 BEREICH FUER BEZEICHNUNGSSCHILD KUNDE
 ZONE POUR PLAQUE DE FIRME CLIENT
 ZONA PER TARGHETTA CLIENTE

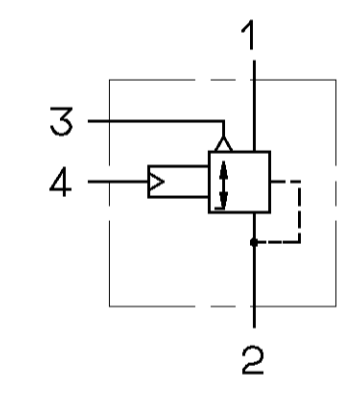
SUPPLY PRESSURE:
 VORRATSDRUCK: MAX. $p_e = 13 \text{ bar}$
 PRESSION D'ALIMENTATION:
 PRESSIONE DI ALIMENTAZIONE:

PERMISSIBLE INSTALLATION
 ZULAESSIGE EINBAULAGE $\pm 90^\circ$
 POSITION D'INSTALLATION ADMISE
 POSIZIONE DI MONTAGGIO AMMESSA

DELIVERY PRESSURE
 AUSGESTEUERTER DRUCK p_2 [bar]
 PRESSION DELIVREE
 PRESSIONE EROGATA



- 1 SUPPLY VORRAT ALIMENTATION ALIMENTAZIONE
- 2 DELIVERY PRESSURE AUSGESTEUERTER DRUCK PRESSION DELIVREE PRESSIONE EROGATA
- 3 EXHAUST ENTLUEFTUNG ECHAPPEMENT SCARICO
- 4 CONTROL PRESSURE STEUERDRUCK PRESSION DE COMMANDE PRESSIONE DI COMANDO



GENERAL SPECIFICATION: JED-334		CADAM-DRAWING COPYRIGHT		WABCO	
FURTHER TECHNICAL DATA:		DATE: 89-04-25		SIGNATURE: BRINK/ME.	
DOC. CODE: SHEET: TO:		DRAWN: 89-06-02		CHECKED: KIEL/DEIKE	
GENERAL TOLERANCES		STANDARDIZATION: 89-06-05		PANTZER	
RANGE OF NOMINAL DIMENSIONS (± mm)		MASS: 0.62 KG		SCALE: 1:1 (2:1)	
CLASS 1)	≤50	>50 ≤180	≤180 ≤400	>400	PRODUCT IDENTIFICATION NO.: 973 011 000 0
FINE	0,5	1,0	1,5	2,0	DOC. CODE: 605
MEDIUM	1,0	2,0	3,0	4,0	SHEET: 1/1
COARSE	2,0	3,5	5,0	6,5	REPLACEMENT FOR:
TAPPED HOLES ACC. ISO 4039 / JED-182		045408		2x A 90-01-29	
1) TOLERANCE CLASS APPLIED CROSSMARKED		DCN-NO. REV. DATE		EXPERT CODE: 744	

1899/012/204_93 605/603