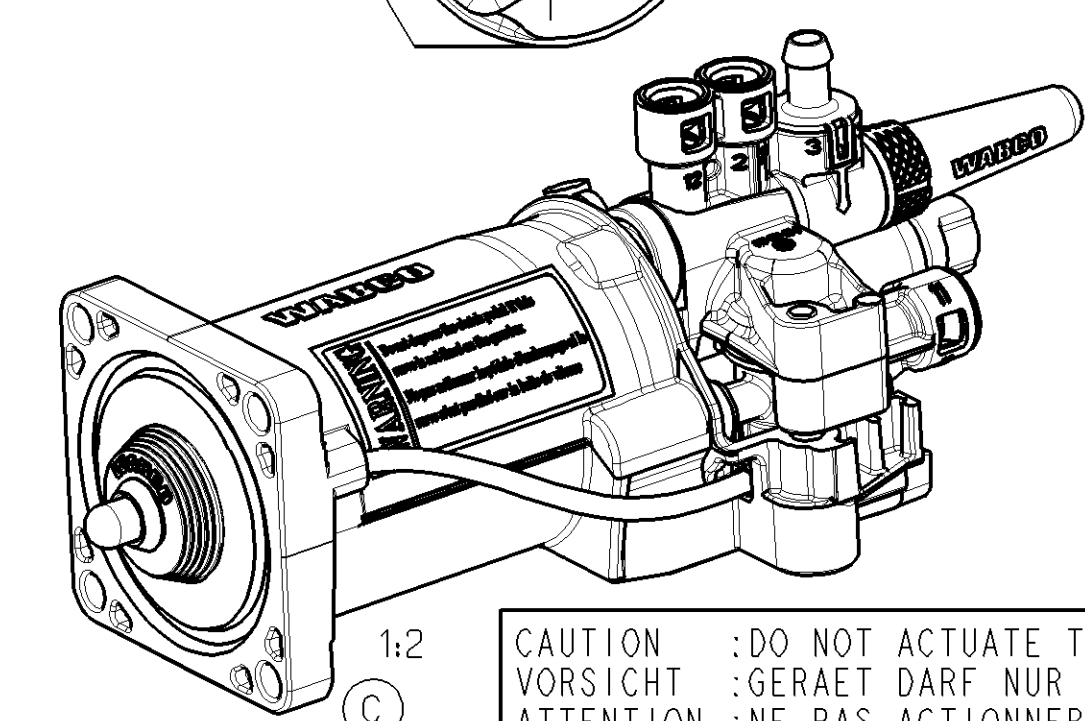
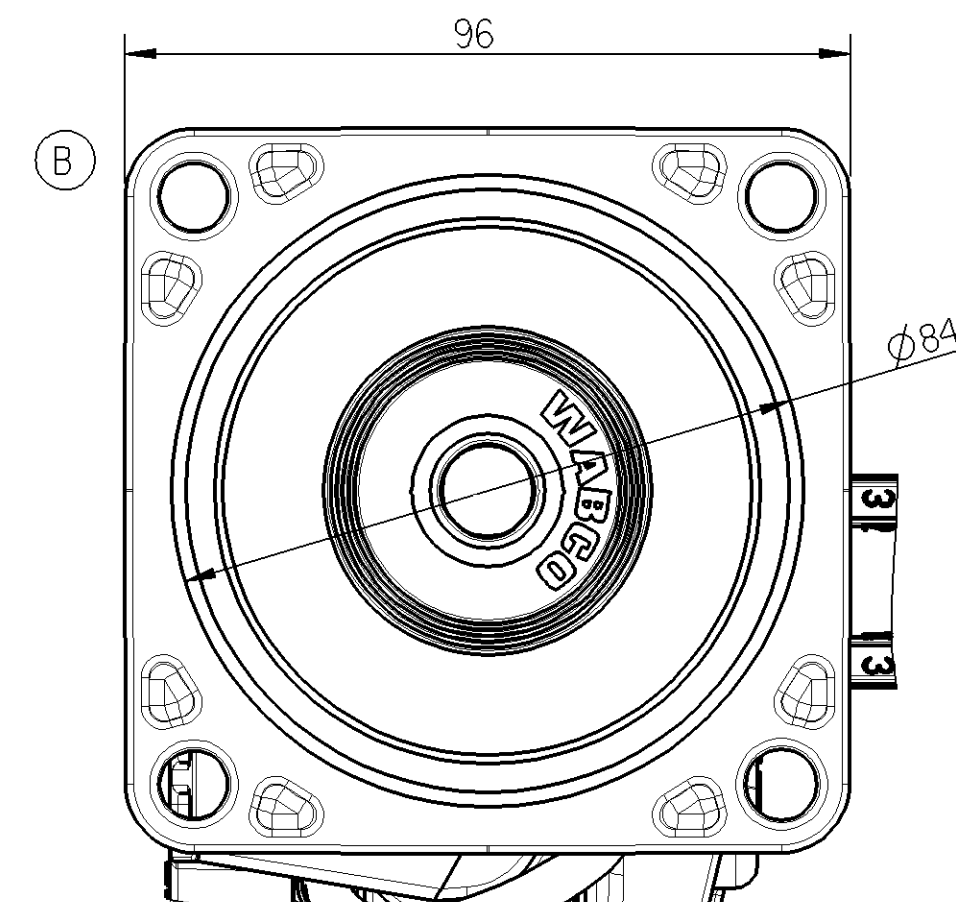
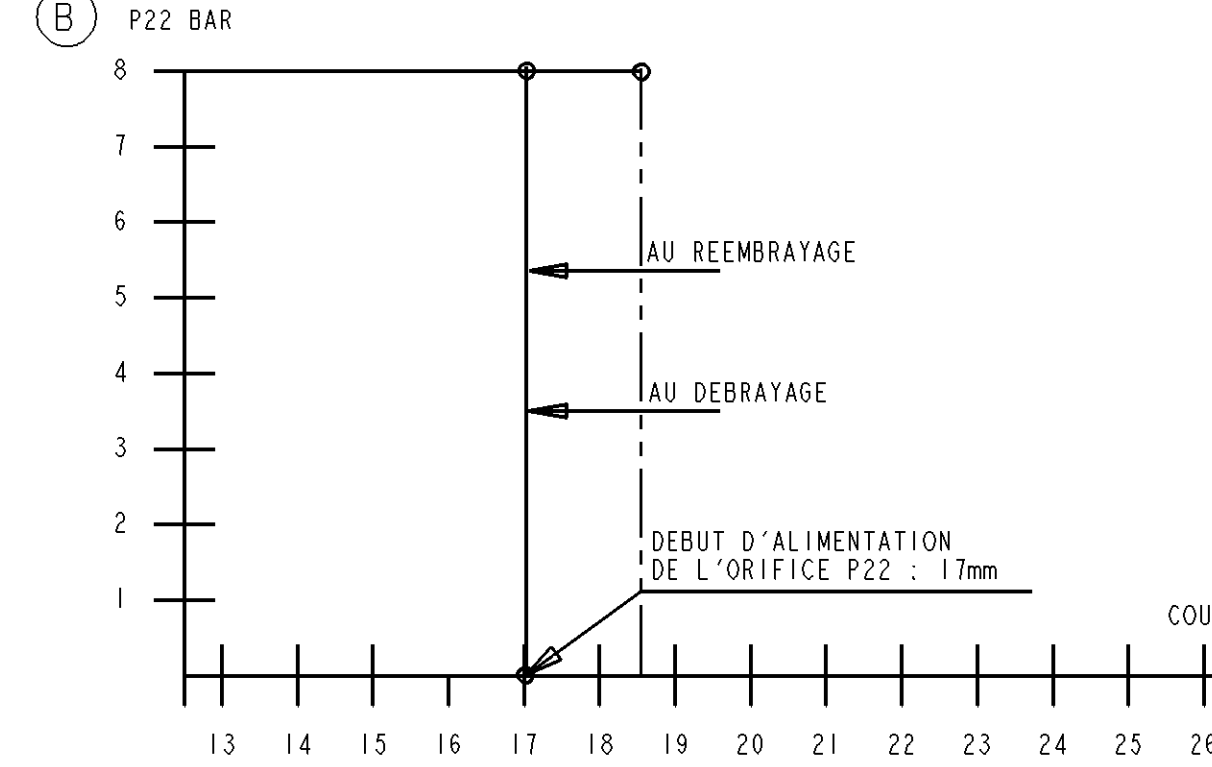
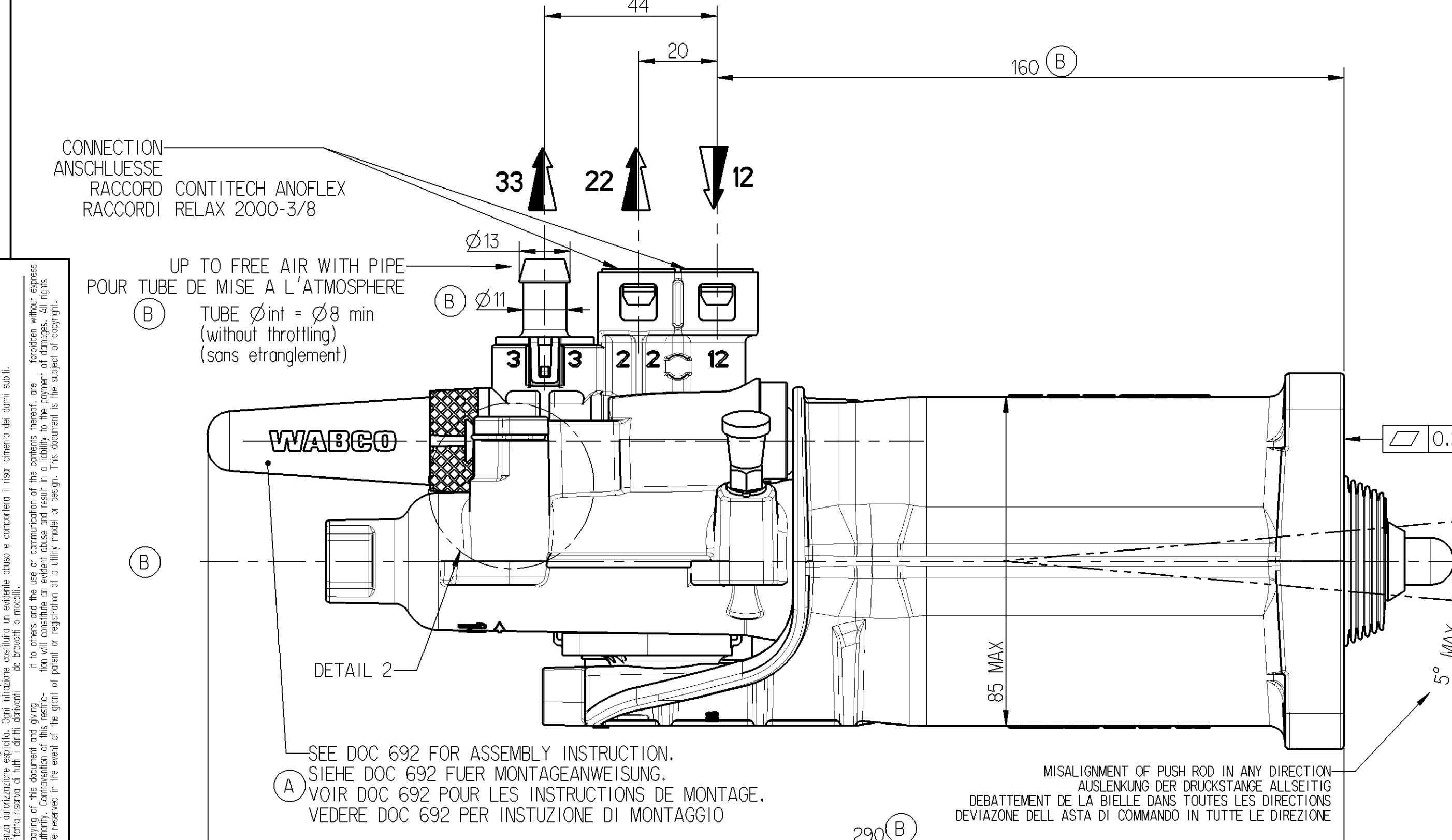
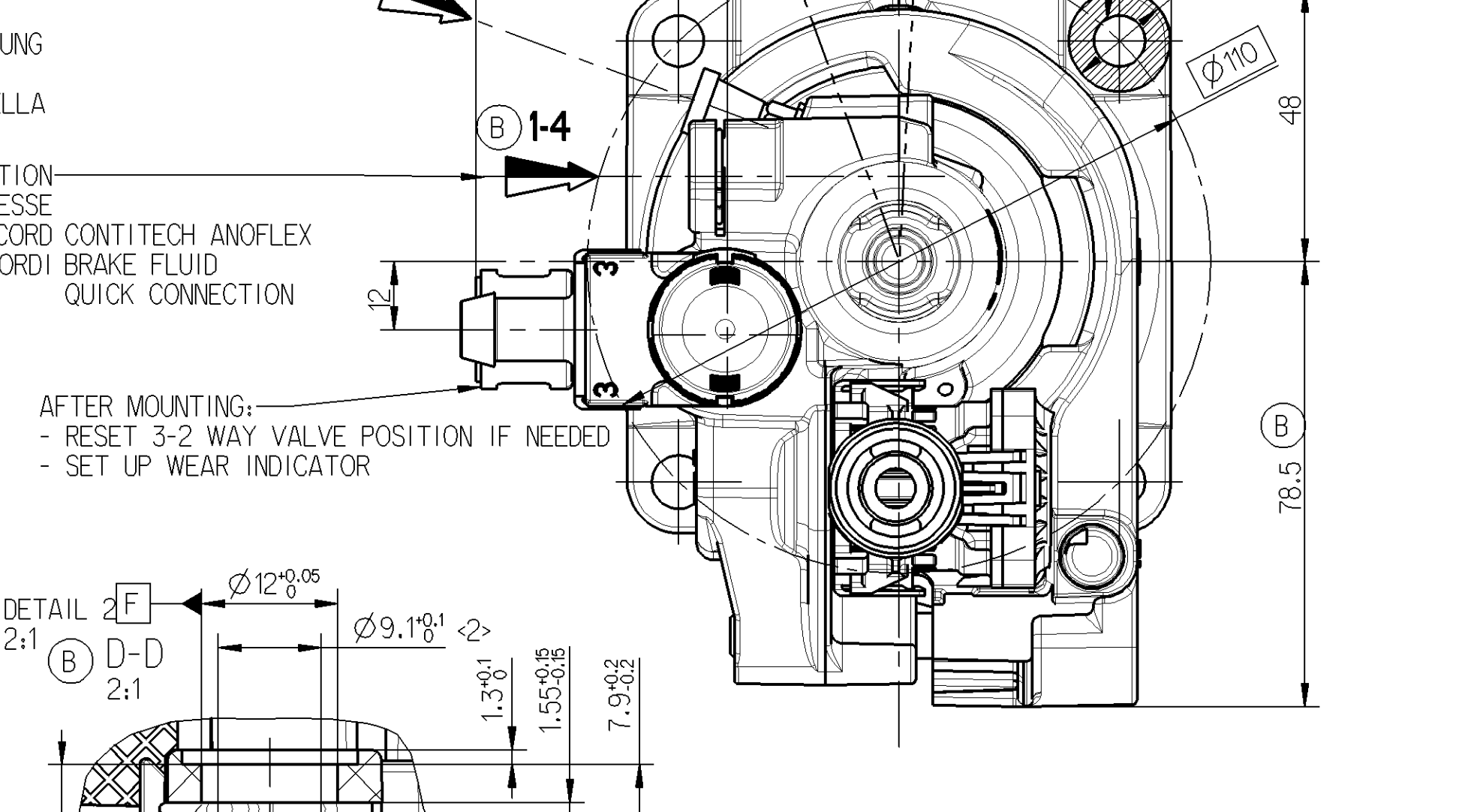
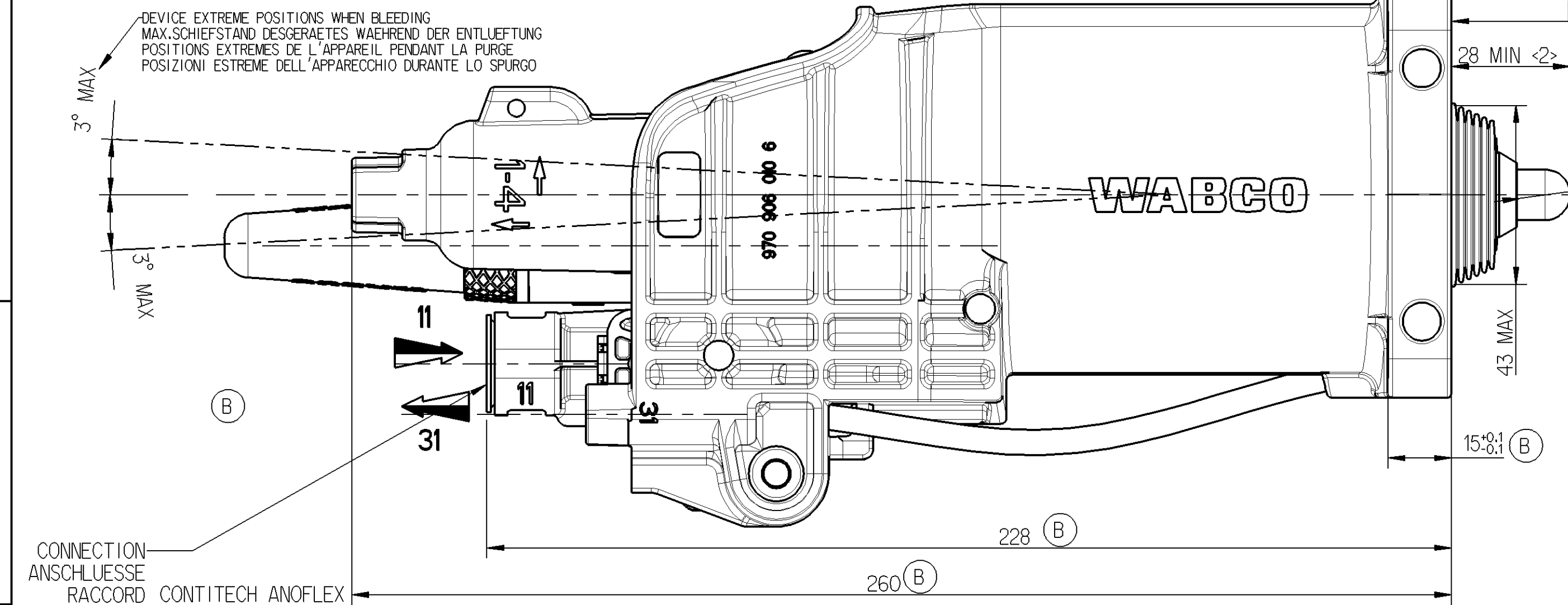
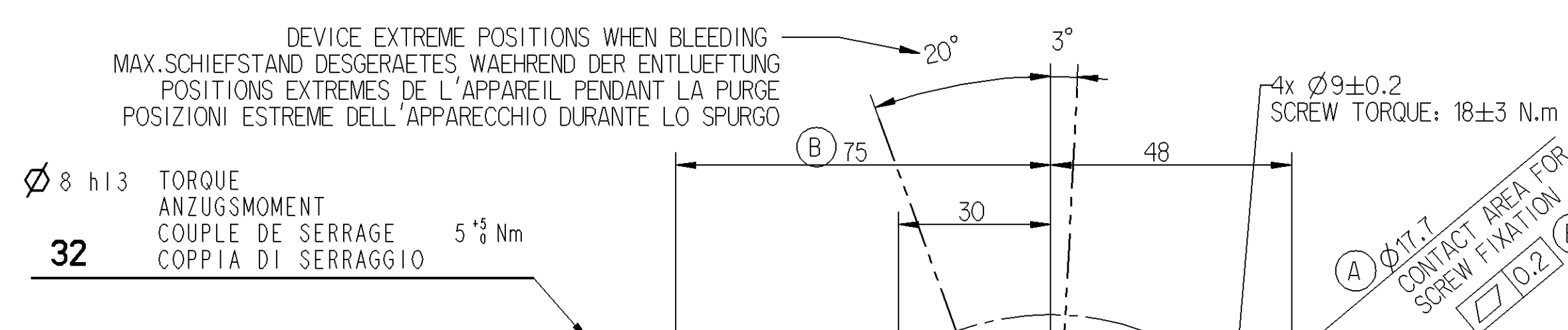
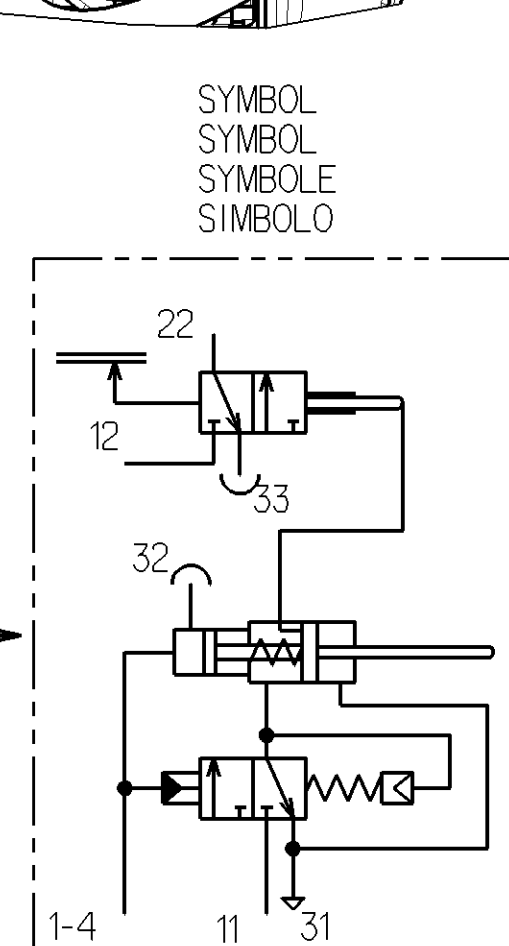
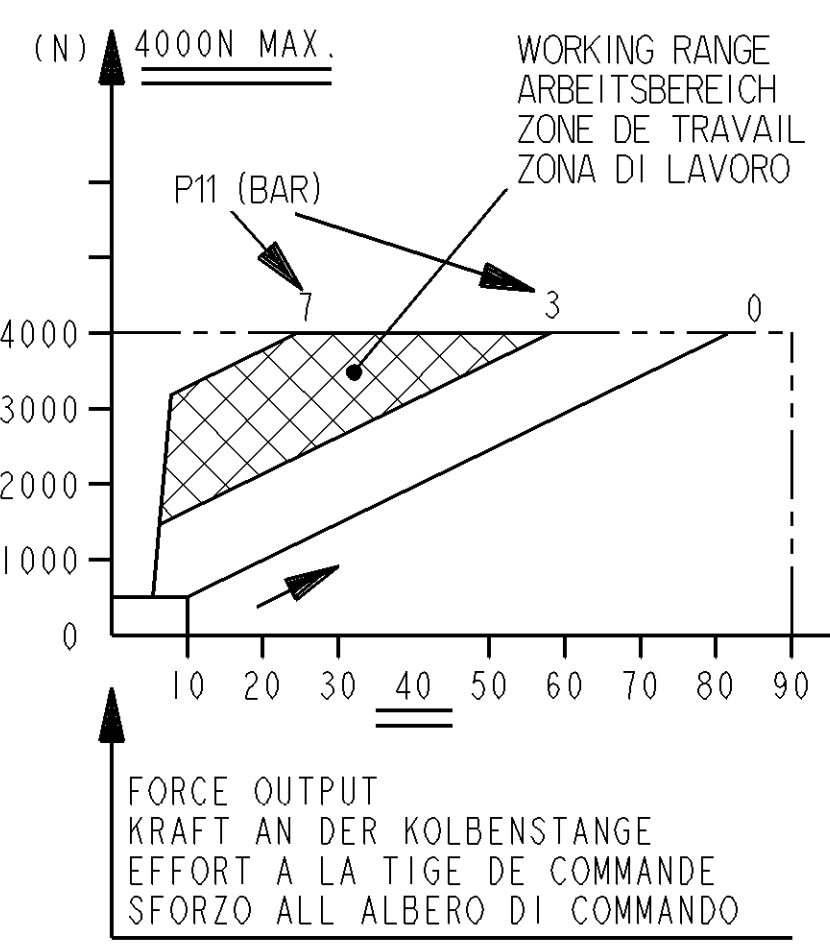
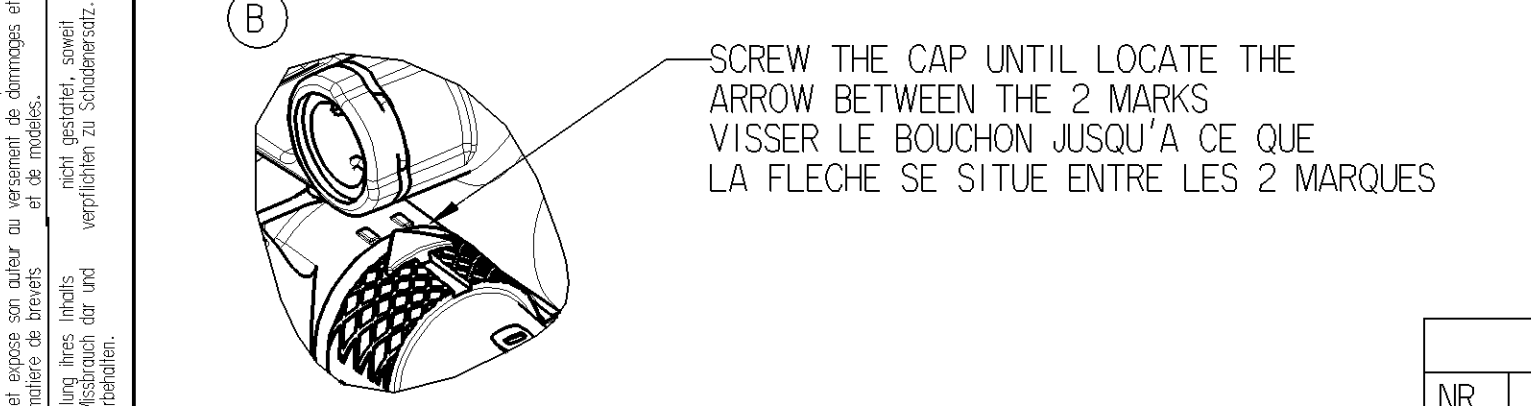


WORKING RANGE
ARBEITSBEREICH
ZONE DE TRAVAIL
ZONA DI LAVORO



CAUTION : DO NOT ACTUATE THE DEVICE IF NOT FITTED ON ITS MOUNTING BRACKET
VORSICHT : GERÄT DARF NUR IM EINGEBAUTEN ZUSTAND BETÄTIGT WERDEN
ATTENTION : NE PAS ACTIONNER L'APPAREIL S'IL N'EST PAS FIXÉ SUR SON SUPPORT
ATTENZIONE : NON METTERE IN FUNZIONE L'APPARECCHIO SE NON È FISSATO AL SUPPORTO

OIL VOLUME INPUT NUTZBARES HYDRAULISCHES VOLUMEN VOLUME D'HUILE ABSORBÉE VOLUME D'OLIO ASSORBITO		V = (SHx C) + K
K	ABSORPTION AT 90 BAR AUFNAHME BEI 90 BAR ASSORBIMENTO A	FOR FUEL POUR PER C=0 < 2 cm ³
SH	HYDRAULIC SECTIONAL AREA HYDRAULISCHER QUERSCHNITT SECTION HYDRAULIQUE SEZIONE IDRAULICO	4.89 cm ²
C	GEAR DISENGAGING STROKE AUSKUPPLUNGSHUB COURSE DE DEBRAYAGE CORSO DI DISINNESTO	
HYDRAULIC FLUID : BRAKE FLUID HYDRAULIKFLUESSIGKEIT : BREMSFLUESSIGKEIT FLUIDE HYDRAULIQUE : GLYCEROL ALCOOLIQUE FLUIDO IDRAULICO : LIQUIDO PER FRENI		SAE J 1703
THERMAL RANGE THERMISCHER ANWENDUNGSBEREICH TEMPERATURE D'UTILISATION TEMPERATURA DI UTILIZZAZIONE		-30°C...+100°C
SUPPLY PRESSURE VORRATSDRUCK PRESSION PNEUMATIQUE D'ALIMENTATION PRESSIONE PNEUMATICA DI ALIMENTAZIONE		10 BAR MAX
NO STROKE LIMITER IN THE DEVICE KEIN HUBBEGRENZUNG IM GERÄT PAS DE LIMITATION DE COURSE DANS L'APPAREIL NESSUNA LIMITAZIONE DI CORSA NELL'APPARECCHIO		



5 x \pm SPECIAL CHARACTERISTICS CARACTERISTIQUES SPECIALES

MARKING OF PORTS KENNZEICHNUNG DER ANSCHLUESSE MARQUAGE DES ORIFICES MARCATURA DEGLI ORIFIZI		MARKING INFORMATION (B)	
		NR.	TEXT
11	AIR INLET VORRATSLAUFUNG ALIMENTATION AIR ALIMENTAZIONE ARIA	22	DELIVERY AUSGESTEUERTE LUFT UTILISATION UTILIZZAZIONE
12	OIL INLET OELZUFLUSS ALIMENTATION HUILE ALIMENTAZIONE OLIO	31	AIR EXHAUST ENTLUEFTUNG ECHAPPEMENT SCARICO
1-4	BLEED SCREW ENTLUEFTUNGSSCHRAUBE VIS DE PURGE VITE DI SPURGO	32	DATE
		1	CUSTOMER N° KUNDEN N° N° CLIENT N° CLIENTE
		2	WABCO IDENTIFICATION NUMBER WABCO IDENTIFICATION NUMBER NUMERO D'IDENTIFICATION WABCO NUMERO D'IDENTIFICAZIONE WABCO
		3	CUSTOMER NAME KUNDEN NAME NOM CLIENT NOME CLIENTE
		4	DATE

General Specification: JED-334-0		Copyright WABCO	
Further Technical Data: 970 051 601 0		Date	Signature
Doc. Code: 335	Sheet: 1	2005-08-04	H.SENE
General Tolerances: JED-261		Checked	
Range of Nominal Dimensions (± mm)		2005-08-22	L'Her
Class	1) ≤ 50	2) $50 > 180$	3) $180 \leq 400$
	±0.1	±0.15	±0.2
	±0.2	±0.3	±0.4
	±0.3	±0.5	±0.6
	±0.5	±0.8	±1.0
	±0.8	±1.2	±1.6
	±1.2	±1.8	±2.5
	±1.8	±2.5	±3.6
	±2.5	±3.6	±5.0
	±3.6	±5.0	±7.0
	±5.0	±7.0	±10.0
	±7.0	±10.0	±14.0
	±10.0	±14.0	±20.0
	±14.0	±20.0	±28.0
	±20.0	±28.0	±40.0
	±28.0	±40.0	±56.0
	±40.0	±56.0	±80.0
	±56.0	±80.0	±112.0
	±80.0	±112.0	±160.0
	±112.0	±160.0	±224.0
	±160.0	±224.0	±315.0
	±224.0	±315.0	±448.0
	±315.0	±448.0	±630.0
	±448.0	±630.0	±896.0
	±630.0	±896.0	±1260.0
	±896.0	±1260.0	±1760.0
	±1260.0	±1760.0	±2520.0
	±1760.0	±2520.0	±3584.0
	±2520.0	±3584.0	±5040.0
	±3584.0	±5040.0	±7168.0
	±5040.0	±7168.0	±10080.0
	±7168.0	±10080.0	±14112.0
	±10080.0	±14112.0	±19840.0
	±14112.0	±19840.0	±27744.0
	±19840.0	±27744.0	±38816.0
	±27744.0	±38816.0	±53760.0
	±38816.0	±53760.0	±74496.0
	±53760.0	±74496.0	±103936.0
	±74496.0	±103936.0	±144384.0
	±103936.0	±144384.0	±200064.0
	±144384.0	±200064.0	±277440.0
	±200064.0	±277440.0	±384384.0
	±277440.0	±384384.0	±531776.0
	±384384.0	±531776.0	±737472.0
	±531776.0	±737472.0	±1024000.0
	±737472.0	±1024000.0	±1427328.0
	±1024000.0	±1427328.0	±1984000.0
	±1427328.0	±1984000.0	±2744000.0
	±1984000.0	±2744000.0	±3788800.0
	±2744000.0	±3788800.0	±5248000.0
	±3788800.0	±5248000.0	±7312000.0
	±5248000.0	±7312000.0	±10144000.0
	±7312000.0	±10144000.0	±14022400.0
	±10144000.0	±14022400.0	±19430400.0
	±14022400.0	±19430400.0	±26982400.0
	±19430400.0	±26982400.0	±37376000.0
	±26982400.0	±37376000.0	±51544000.0
	±37376000.0	±51544000.0	±70976000.0
	±51544000.0	±70976000.0	±98016000.0
	±70976000.0	±98016000.0	±134976000.0
	±98016000.0	±134976000.0	±186816000.0
	±134976000.0	±186816000.0	±259456000.0
	±186816000.0	±259456000.0	±353216000.0
	±259456000.0	±353216000.0	±485440000.0
	±353216000.0	±485440000.0	±667200000.0
	±485440000.0	±667200000.0	±916480000.0
	±667200000.0	±916480000.0	±1260160000.0
	±916480000.0	±1260160000.0	±1728000000.0
	±1260160000.0	±1728000000.0	±2374400000.0
	±1728000000.0	±2374400000.0	±3270400000.0
	±2374400000.0	±3270400000.0	±4518400000.0
	±3270400000.0	±4518400000.0	±6182400000.0
	±4518400000.0	±6182400000.0	±8473600000.0
	±6182400000.0	±8473600000.0	±11616000000.0
	±8473600000.0	±11616000000.0	±16000000000.0
	±11616000000.0	±16000000000.0	±21904000000.0
	±16000000000.0	±21904000000.0	±30048000000.0
	±21904000000.0	±30048000000.0	±41152000000.0
	±30048000000.0	±41152000000.0	±55616000000.0
	±41152000000.0	±55616000000.0	±75584000000.0
	±55616000000.0	±75584000000.0	±103936000000.0
	±75584000000.0	±103936000000.0	±142732800000.0
	±103936000000.0	±142732800000.0	±194304000000.0
	±142732800000.0	±194304000000.0	±265440000000.0
	±194304000000.0	±265440000000.0	±362880000000.0
	±265440000000.0	±362880000000.0	±495040000000.0
	±362880000000.0	±495040000000.0	±671360000000.0
	±495040000000.0	±671360000000.0	±910720000000.0
	±671360000000.0	±910720000000.0	±1238080000000.0
	±910720000000.0	±1238080000000.0	±1688960000000.0
	±1238080000000.0	±1688960000000.0	±2296320000000.0
	±1688960000000.0	±2296320000000.0	±3128960000000.0
	±2296320000000.0	±3128960000000.0	±4243840000000.0
	±3128960000000.0	±4243840000000.0	±5747840000000.0
	±4243840000000.0	±5747840000000.0	±7792000000000.0
	±5747840000000.0	±7792000000000.0	±10617600000000.0
	±7792000000000.0	±10617600000000.0	±14438400000000.0
	±10617600000000.0	±14438400000000.0	±19744000000000.0
	±14438400000000.0	±19744000000000.0	±26982400000000.0
	±19744000000000.0	±26982400000000.0	±36640000000000.0
	±26982400000000.0	±36640000000000.0	±49760000000000.0
	±36640000000000.0	±49760000000000.0	±67360000000000.0
	±49760000000000.0	±67360000000000.0	±91040000000000.0
	±67360000000000.0	±91040000000000.0	±123808000000000.0
	±91040000000000.0	±123808000000000.0	±168896000000000.0
	±123808000000000.0	±168896000000000.0	±229632000000000.0
	±168896000000000.0	±229632000000000.0	±309440000000000.0
	±229632000000000.0	±309440000000000.0	±418240000000000.0
	±309440000000000.0	±418240000000000.0	±567040000000000.0
	±418240000000000.0	±567040000000000.0	±767040000000000.0
	±567040000000000.0	±767040000000000.0	±1042240000000000.0
	±767040000000000.0	±1042240000000000.0	±1418240000000000.0
	±1042240000000000.0	±1418240000000000.0	±1928960000000000.0
	±1418240000000000.0	±1928960000000000.0	±2624000000000000.0
	±1928960000000000.0	±2624000000000000.0	±3544000000000000.0
	±2624000000000000.0	±3544000000000000.0	±4768000000000000.0
	±3544000000000000.0	±4768000000000000.0	±6454400000000000.0
	±4768000000000000.0	±6454400000000000.0	±8729600000000000.0
	±6454400000000000.0	±8729600000000000.0	±11729600000000000.0
	±8729600000000000.0	±11729600000000000.0	±15904000000000000.0
	±11729600000000000.0	±15904000000000000.0	±21568000000000000.0
	±15904000000000000.0	±21568000000000000.0	±29216000000000000.0
	±21568000000000000.0	±29216000000000000.0	±39424000000000000.0
	±29216000000000000.0	±39424000000000000.0	±52832000000000000.0
	±39424000000000000.0	±52832000000000000.0	±71776000000000000.0
	±52832000000000000.0	±71776000000000000.0	±97024000000000000.0
	±71776000000000000.0	±97024000000000000.0	±131296000000000000.0
	±97024000000000000.0	±131296000000000000.0	±177024000000000000