

FIRST ANGLE PROJECTION

LABEL MARKED WITH :-

1. PRODUCTION PLANT
2. DATE OF MANUFACTURE
3. REVISION LEVEL
4. PART NUMBER

SCHILD MIT AUFSCHRIFT:-

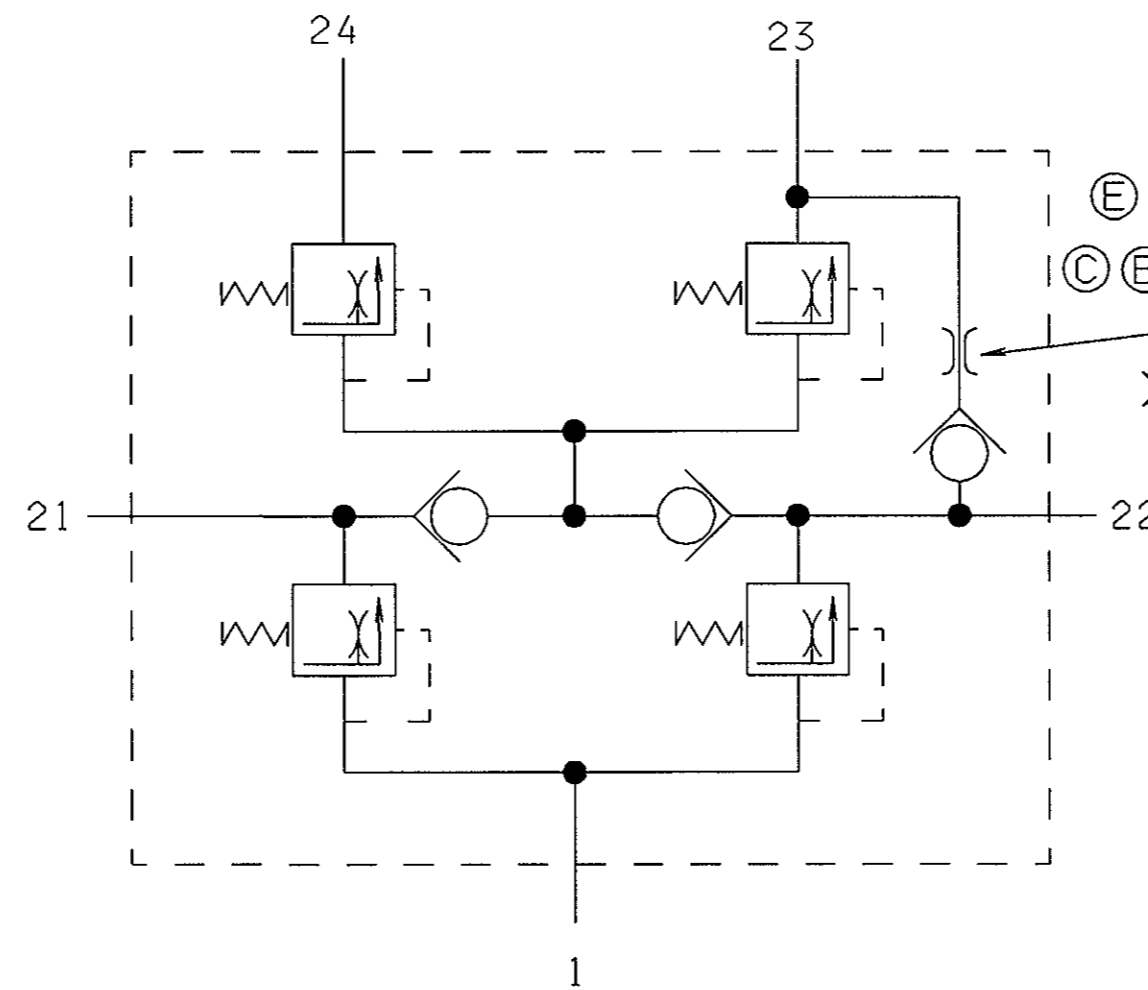
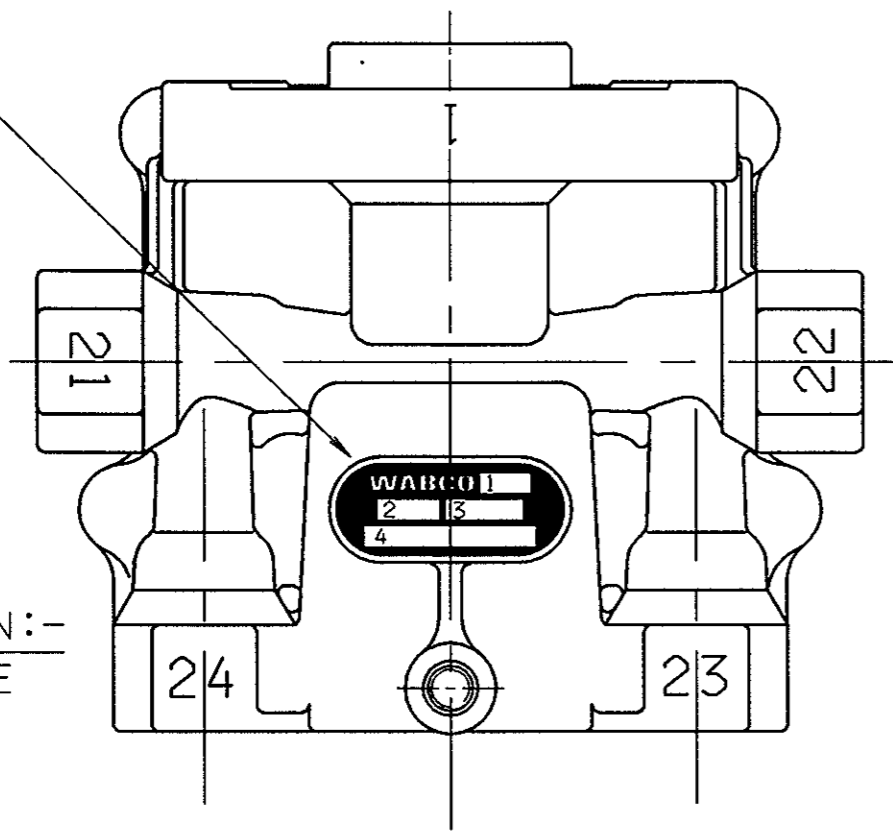
1. FERTIGUNGSWERK
2. HERSTELLDATUM
3. ANDERUNGSSTAND
4. TEILE NR.

ETIQUETTE COMPORTANT :-

1. USINE DE PRODUCTION
2. DATE DE FABRICATION
3. NIVEAU DE REVISION
4. NO. DE PIECE

ETICHETTA CONTRASSEGNA CON :-

1. STABILIMENTO DI PRODUZIONE
2. DATA DI FABBRICAZIONE
3. LIVELLO DI REVISIONE
4. PARTICOLARE NO.

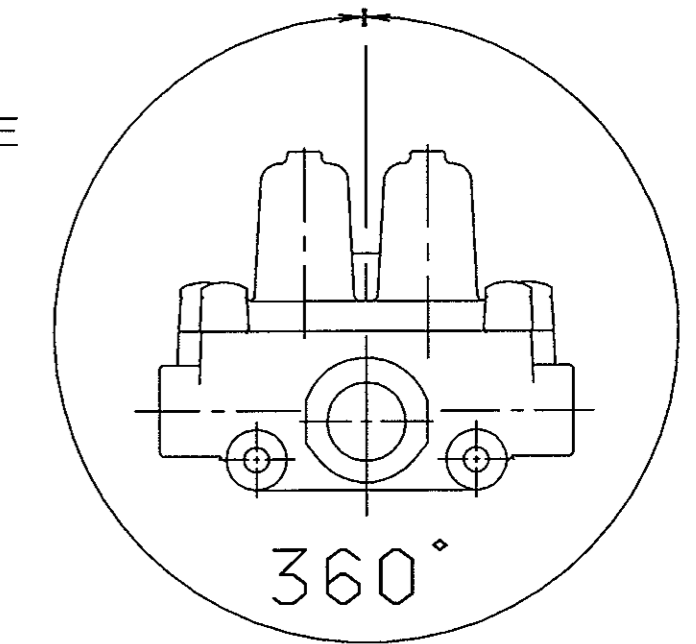


FLOW RATE = 16-35 l/min AT P₂₃=8, P₂₂=0 BAR
 DURCHFLOUSSMENGE BEI P₂₃=8, P₂₂=0 BAR
 DEBIT SOUS P₂₃=8, P₂₂=0 BAR
 PORTATA PER P₂₃=8, P₂₂=0 BAR

* WHEN P₂₂ DROPS TO ZERO RETAINED P₂₃=1 BAR MAX
 WENN AUF NULL ABFALLT GESICHERTER DRUCK
 SI TOMBE A ZERO LA PRESSION MAINTENUE A
 SE CALCA A ZERO LA PRESSIONE MANTENUTA A

CONNECTIONS SUPPLY
 ANSCHLUESSE LUFTEINTRITT
 ORIFICES 1 ALIMENTATION
 ORIFIZI ALIMENTAZIONE

- 21- CIRCUIT 1 KREIS 1 CIRCUITO 1
- 22- CIRCUIT 2 KREIS 2 CIRCUITO 2
- 23- CIRCUIT 3 KREIS 3 CIRCUITO 3
- 24- CIRCUIT 4 KREIS 4 CIRCUITO 4

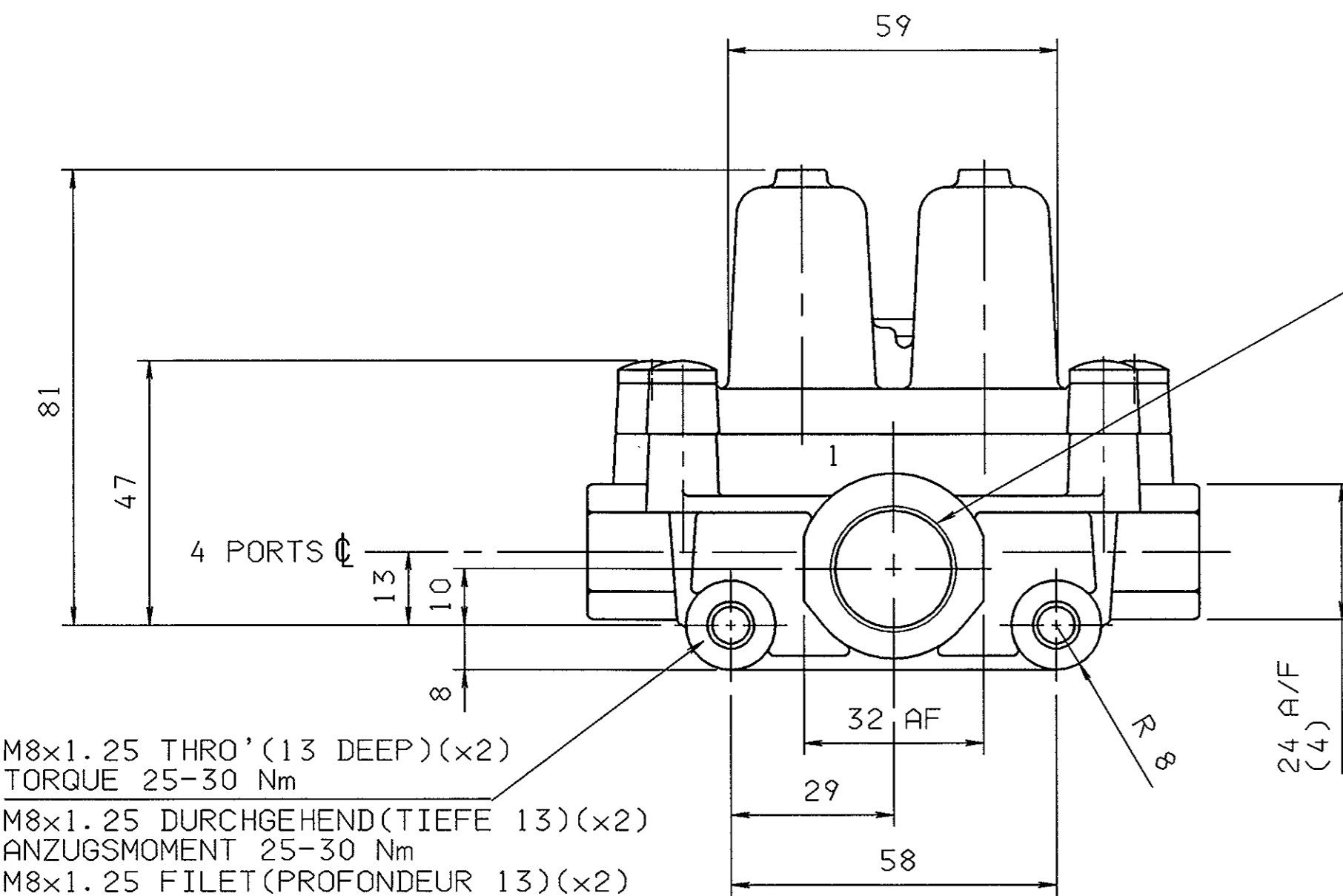


ADMISSIBLE TEMPERATURES. -45°C TO +90°C
 THERMISCHER ANWENDUNGSBEREICH.
 TEMPERATURE DE SERVICE
 TEMPERATURA D'ESERCIZIO.

SERVICE PRESSURE. MAX 13 bar.
 BETRIEBSDRUCK.
 PRESSION DE SERVICE.
 PRESSIONE D'ESERCIZIO.

MEDIUM LUFT.
 MILIEU AIR.
 FLUIDO ARIA.
 FLUIDO ARIA.

VALVE MAY BE MOUNTED AT ANY ANGLE
 VENTIL KANN IN BELIEBIGER LAGE MONTIERT WERDEN
 LA SOUPAPE PEUT ETRE INSTALLEE A N'IMPORTE QUEL ANGLE
 VALVOLA MONTABILE A QUALSIASI ANGOLO



PORT 1
 M22x1.5-6H x16 FULL THREAD
 JED 152
 TORQUE 55 Nm MAX.

ANSCHLUESSE 1
 M22x1.5-6H x16 DURCHGEHENDES GEWINDE
 JED 152
 ANZUGSMOMENT 55 Nm MAX.

ORIFICES 1
 M22x1.5-6H x16 FILET COMPLET
 JED 152
 COUPLE DE SERRAGE 55 Nm MAX.

ORIFIZI 1
 M22x1.5-6H x16 FILETTATURA COMPLETA
 JED 152
 COPPIA DI SERRAGGIO 55 Nm MAX.

M8x1.25 THRO'(13 DEEP)(x2)
 TORQUE 25-30 Nm

M8x1.25 DURCHGEHEND(TIEFE 13)(x2)
 ANZUGSMOMENT 25-30 Nm

M8x1.25 FILET(PROFONDEUR 13)(x2)
 COUPLE DE SERRAGE 25-30 Nm

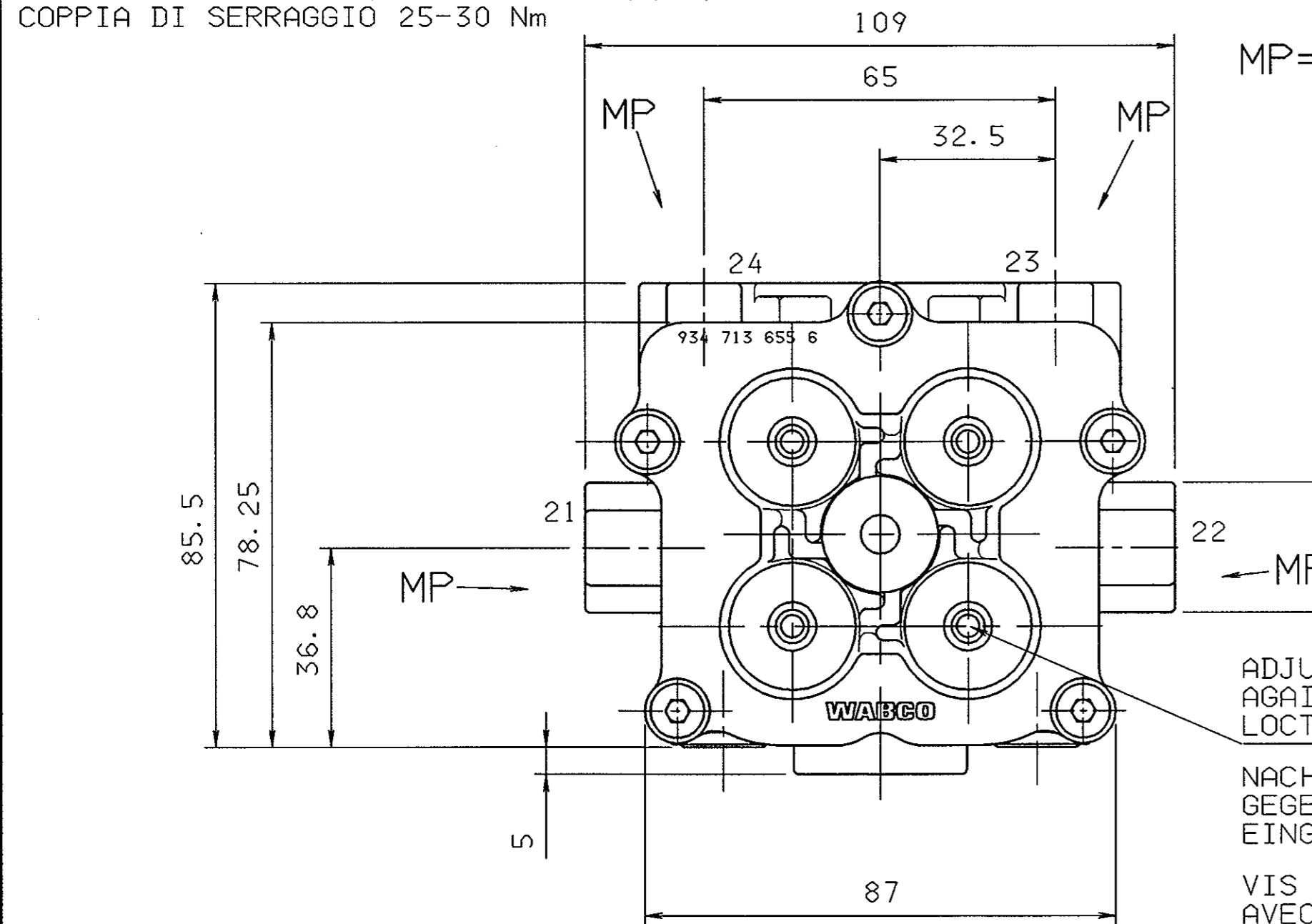
M8x1.25 ATTRAVERSO(PROFONDITA 13)(x2)
 COPPIA DI SERRAGGIO 25-30 Nm

M16x1.5-6H x13 FULL THREAD
 JED 152
 TORQUE 35 Nm MAX.

M16x1.5-6H x13 DURCHGEHENDES GEWINDE
 JED 152
 ANZUGSMOMENT 35 Nm MAX.

M16x1.5-6H x13 FILET COMPLET
 JED 152
 COUPLE DE SERRAGE 35 Nm MAX.

M16x1.5-6H x13 FILETTATURA COMPLETA
 JED 152
 COPPIA DI SERRAGGIO 35 Nm MAX.



MP=

ADJUSTING SCREWS SECURED AGAINST TAMPERING WITH LOCTITE AFTER TEST.

NACH PRUFUNG MIT LOCTITE GEGEN UNBEGUFTE EINGRIFFE GESICHERT

VIS DE REGLAGE FIXEES AVEC LOCTITE PAR SECURITE APRES ESSAI

VITI DI REGOLAZIONE FISSATE CONTRO MANOMISSIONE CON LOCTITE DOPO LE PROVE

CORROSION PROTECTION:-

- Ⓧ ALUMINIUM PARTS CHROMATED TO JED-259
- Ⓧ SCREWS MECHANICALLY ZINC PLATED AND YELLOW PASSIVATED (FORD SPEC. S71M)

KORROSIONSSCHUTZ

ALUMINIUMTEILE CHROMIERT GEMASS JED-259
 SCHRAUBEN MECHANISCH VERZINKT UND GELB PASSIVIERT (FORD SPEZIFIKATION S71M)

PROTEZIONE ANTICORROSIVE

PIECES ALUMINIUM CHROMEES POUR JED-259
 VIS MECANIQUEMENT ZINGUEES ET PASSIVEES EN JAUNE (SPEC.FORD S71M)

PROTEZIONE ANTICORROSIONE

PEZZI IN ALUMINIO CROMATI PER JED-259
 VITI MECCANICAMENTE ZINCATE E PASSIVATE IN GIALLO (SPEC.FORD S71M)

PORTS ORIFICES	ANSHLUESSE ATTACCHI	21	22	23	24
OFFENUNGSDRUCK DYNAMISCH OFFENUNGSDRUCK DYNAMISCH PRESSION DE OUVERTURE DYNAM PRESSIONE DI APERTURA DINAM	BAR	6.5 ⁺⁰ _{-0.3}	6.5 ⁺⁰ _{-0.3}	7.2 ⁺⁰ _{-0.3}	6.5 ⁺⁰ _{-0.3}
CLOSING PRESSURE DYNAMIC SCHLIESSDRUCK DYNAMISCH PRESSION DE FERMETURE DYNAM PRESSIONE DI CHIUSURA DINAM	BAR	≥ 4.5			
CLOSING PRESSURE STATIC AT FAILURE OF CIRCUIT SCHLIESSDRUCK STATISCH BEI AUSFALL VON KREIS PRESSION DE FERMETURE STATIQUE EN CAS DE DEFAILLANCE DU CIRCUIT PRESSIONE DI CHIUSURA STATICA IN CASO DI DIFETTO DEL CIRCUITO	BAR	0	≥ 4.5	≥ 4.5	≥ 4.5
		≥ 4.5	0	* Ⓧ	≥ 4.5
		≥ 4.5		0	≥ 4.5
		≥ 4.5	≥ 4.5	0	0

DRAWING PRODUCED ON CADAM
 MANUAL CHANGES PROHIBITED

DIMENSIONS IN MILLIMETRES

FURTHER TECHNICAL DATA SEE				COPYRIGHT		WABCO					
IDENTIFICATION No.:	L	DATE	SIGNATURE	QUADRUPLE CIRCUIT PROTECTION VALVE. VIERKREIS - SCHUTZVENTIL. VALVE DE PROTECTION LA 4 CIRCUITS. VALVOLA DI PROTEZIONE LA 4 CIRCUITI.							
CODE FOR DOCUMENT:	K	22/11/99	PS. WELLINGS								
SHEET:	J	08/12/99	M. FLETT								
TO:	H	02/05/01	J. HALL								
GENERAL TOLERANCES				PRODUCT SPECIFICATION No							
RANGE OF NOMINAL DIMENSIONS (mm)				934 714 145 0							
CLASS	1)	≤ 50	> 50 ≤ 180	301789	1 F	02/05/01	MASS	SCALE	1:1	DOCUMENT CODE	SHEET
	II)	≤ 180	> 180 ≤ 400	301733	7 E	08/05/01	319	T. R. T.		605	1/1
	III)	> 400	> 400	301599	1 D	09/11/00					
		± 0.1	± 0.15	301400	2 C	22/05/00					
		± 0.2	± 0.3	301258	3 B	7/12/99					
		± 0.3	± 0.5	301242	-- A						
1) TOLERANCE CLASS APPLIED CROSSMARKED				ECN-No	REV	DATE					
				A1	300						