

WIDTH ACCROSS FLATS
SCHLÜSSELWEITE
SURPLAT
LARGHEZZA DI CHIAVE

36

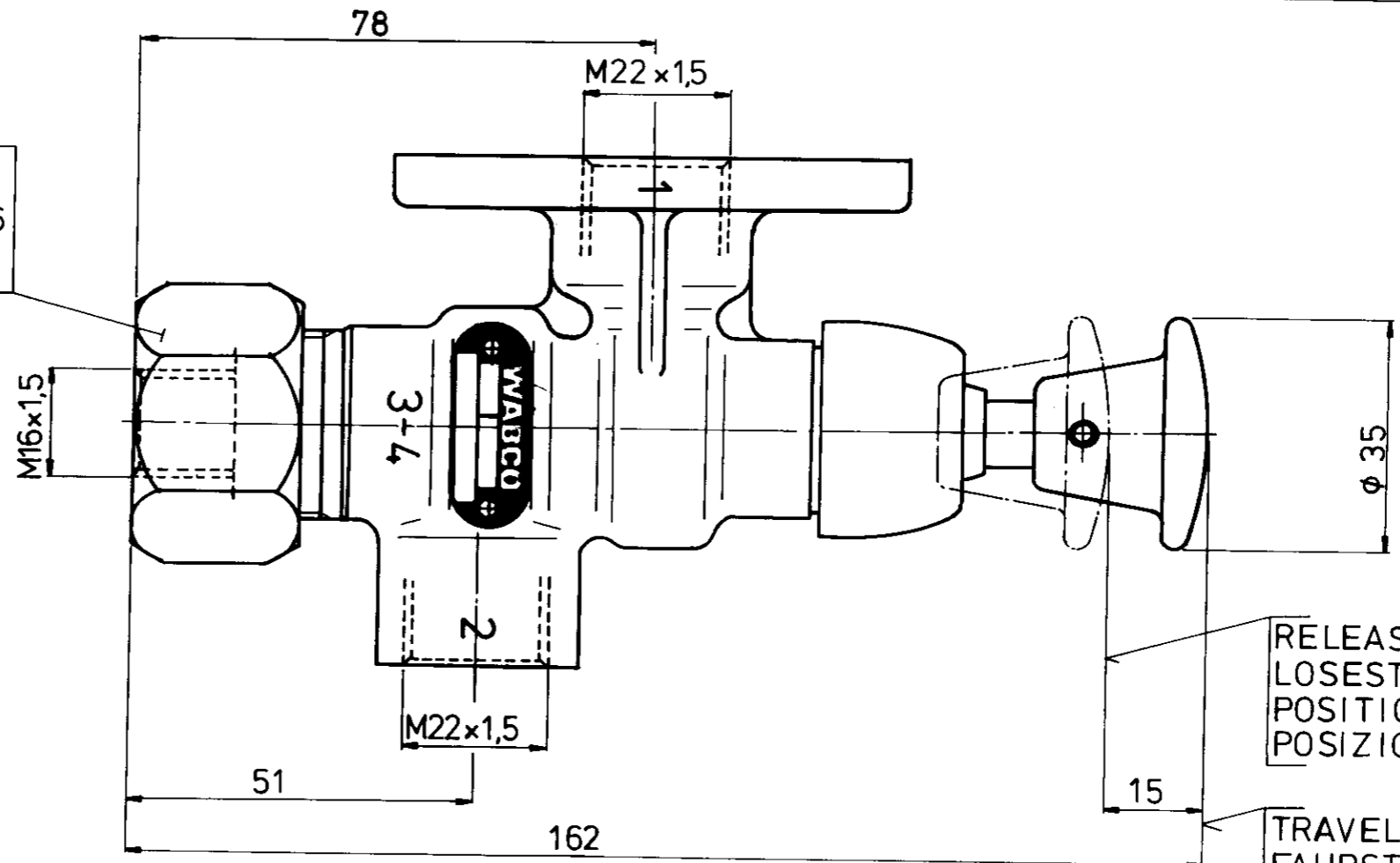
- 1 FROM RESERVOIR
VORRATSLEITUNG
DU RESERVOIR
DEL SERBATOIO
- 2 DELIVERY
AUGGESTEUERTER DRUCK
PRESSION DELIVRE
PRESSIONE EROGATA
- 3 EXHAUST
ENTLUEFTUNG
ECHAPPEMENT
SCARICO
- 4 CONTROL PORT
STEUERANSCHLUSS
ORIFICE DE COMMANDE
ORIFIZIO DI COMANDO

PORT 1,2 TORQUE
ANSCHLUSS 1,2 ANZUGSMOMENT
ORIFICE 1,2 COUPLE DE SERRAGE
ORIFIZIO 1,2 COPPIA DI SERRAGGIO

MAX 55 Nm

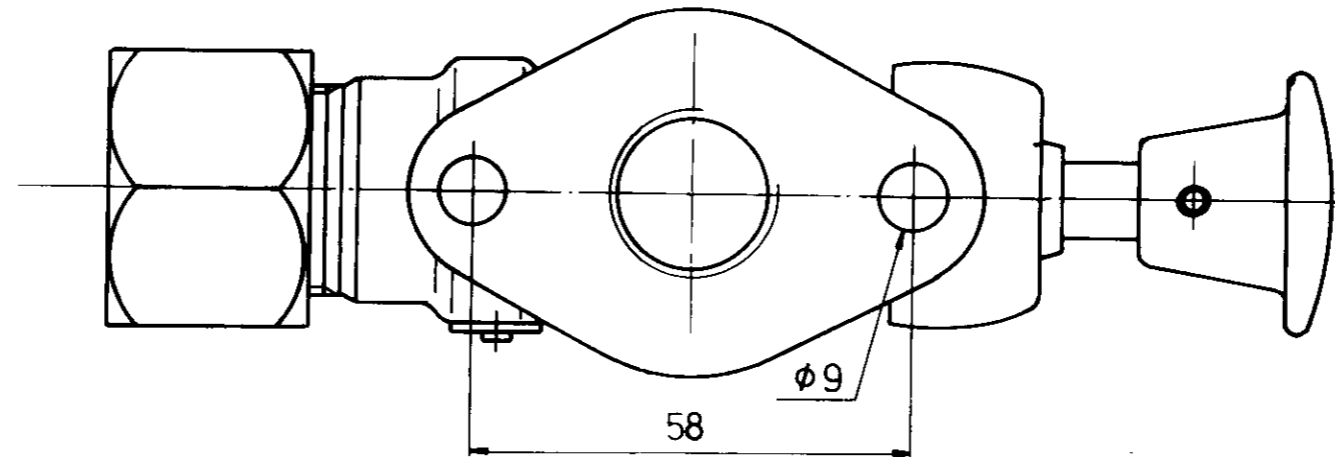
PORT 3-4 TORQUE
ANSCHLUSS 3-4 ANZUGSMOMENT
ORIFICE 3-4 COUPLE DE SERRAGE
ORIFIZIO 3-4 COPPIA DI SERRAGGIO

MAX 50 Nm



RELEASE POSITION
LOSESTELLUNG
POSITION DE DESSERAGE
POSIZIONE DI RILASCIO

TRAVELING POSITION
FAHRSTELLUNG
POSITION DE MARCHE
POSIZIONE DI MARCIA



COPYRIGHT BY WABCO WESTINGHOUSE GMBH HANNOVER

J H G F E D C B A	DATE	SIGNATURE	WABCO WESTINGHOUSE TRAILER RELEASE VALVE VALVE DE DESSERAGE DE REMORQUE VALVOLA DI FRENATURA RIMORCHIO ANHAENGER LOESEVENTIL RANGERINGSVENTIL				
	84 12 10	<i>[Signature]</i>					
	CHECKED						
	STANDARDIZATION						
20	CHANGE NO.	LETT.	DATE	MASS	SCALE	IDENTIFICATION CODE	SHEET
A	85 04 23			Kg	1:1	463 034 0050 (A)	1/1
	REPLACEMENT FOR	SIZE	T.R.I.	CODE FOR FUNCTION	CODE FOR SHAPE	CODE FOR DOCUMENT	
	890 158 4340 (A)	A3	193			605	