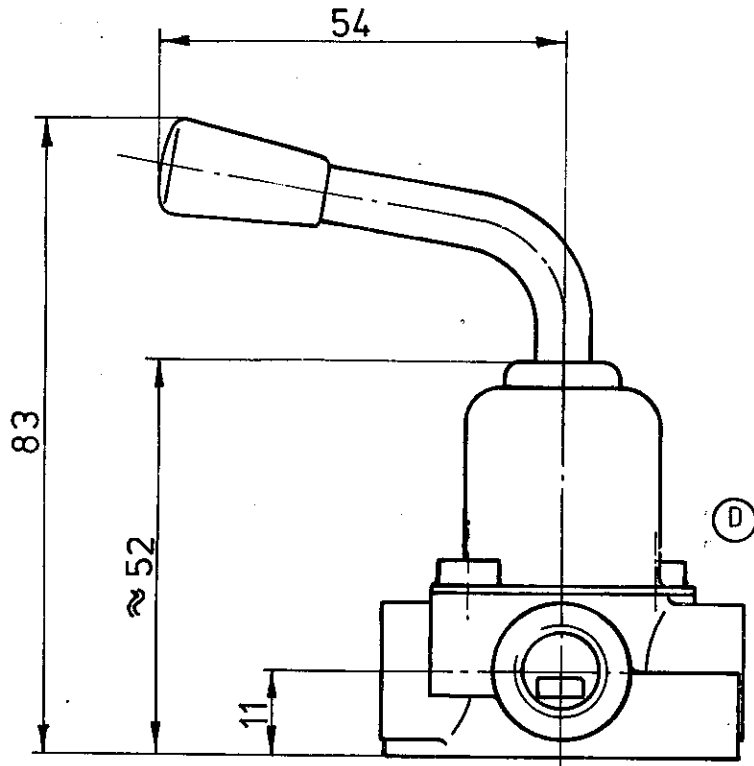
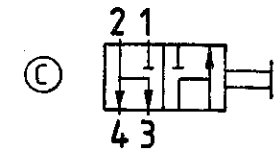


Copying or this document, giving it to others and the use or communication of its contents thereof, are forbidden without express authority. Contravention of this restriction will constitute an evident abuse and result in a liability to the payment of damages. All rights are reserved for the event of the registration of an utility model or design.



	2 CONNECTED TO 4 AND 3 2 VERBUNDEN MIT 4 UND 3 2 RELIE AVEC 4 ET 3 2 COMUNICANTE CON 4 E 3	1 CONNECTED TO 4 AND 3 1 VERBUNDEN MIT 4 UND 3 1 RELIE AVEC 4 ET 3 1 COMUNICANTE CON 4 E 3
452 003 020 0	I	IV
452 003 021 0	II	I
452 003 022 0	III	II
452 003 023 0	IV	III

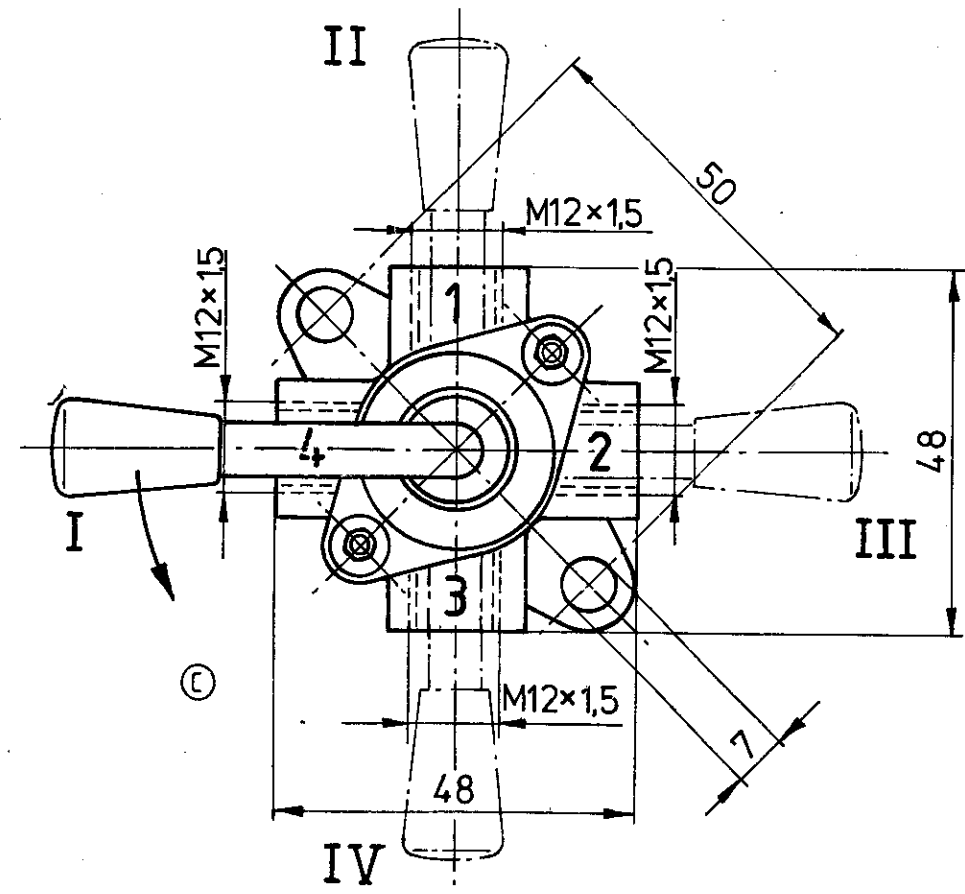
THERMAL RANGE OF APPLICATION:  
 THERMISCHER ANWENDBEREICH: -40... +80°C  
 GAMME D'APPLICATION THERMIQUE:  
 CAMPO DI APPLICAZIONE TERMICA:



WORKING PRESSURE:  
 BETRIEBSDRUCK: max. 8 kp/cm<sup>2</sup>  
 PRESSION D'UTILISATION:  
 PRESSIONE DI ESERCIZIO:

MEDIUM: AIR  
 MEDIUM: LUFT  
 FLUIDE: AIR  
 MEDIUM: ARIA

MASS:  
 GEWICHT: 0,15 kg  
 MASSE:  
 MASSA:



R P N M L K J H G F E	GENERAL SPEC. - ALLGEMEINE SPEZ. - SPEC. GENERALES + SPEC. GENERALI		BLANK NO. - ROHTEILNUMMER NO. PIECE BRUTE - NO. PEZZO GREZZO	
	TREATMENT - BEHANDLUNG TRAITEMENT - TRATTAMENTO		SURFACE PROTECTION - OBERFLACHENSCHUTZ PROTECTION - PROTEZIONE	
DATE 73-07-03		SIGNATURE <i>Peter</i>		<b>WABCO WESTINGHOUSE</b> 4/2 DIRECTIONAL CONTROL VALVE DISTRIBUTEUR 4/2 VALVOLA 4/2 4/2.-WEGEHAHN
DRAWN		CHECKED		
STANDARDIZATION		IDENTIFICATION CODE		SHEET 1/1
37789 1x (D) 88-07-10 V 26352 3 (C) 82-03-18 V A31749 (B) 730730		MASS SCALE Kg 1:1 452 003 020 0		
CHANGE NO. LETT. DATE		REPLACEMENT FOR		ORIGIN OF 12.6.69
SIZE		T.R.I.		CODE FOR FUNCTION
A 3		140		CODE FOR SHAPE
				CODE FOR DOCUMENT
				605

100 mm.