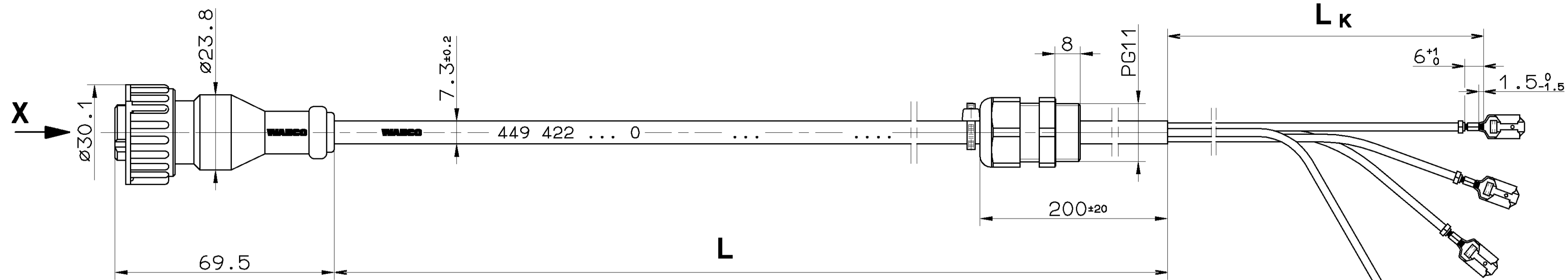
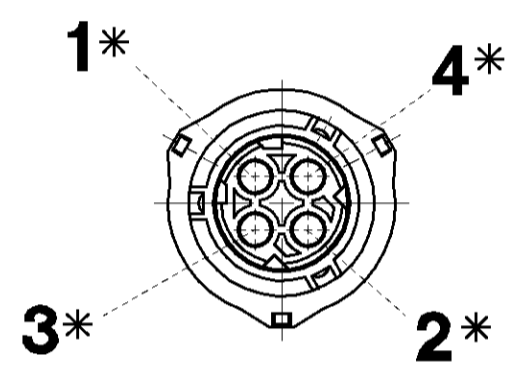


NON È PERMESSO CONSERVARE A TERZI O RIPRODURRE QUESTO DOCUMENTO. NE UTILIZZARE IL CONTENUTO O RES-
 ABBANDONARE IL DIRITTO DI PROPRIETÀ. IL RESERVATO DEL DANNI SUBITI. È FATTA RISERVA DA TUTTI I DIRITTI RESERVATI DA
 BREVETTI O MODELLI.
 COPIING OF THIS DOCUMENT AND GIVING IT TO OTHERS AND THE USE OF COMMUNICATION OF THE CONTENTS THEREOF,
 WITHOUT THE WRITTEN PERMISSION OF THE MANUFACTURER, IS PROHIBITED. ALL RIGHTS ARE RESERVED IN THE EVENT OF THE
 ABUSE AND RESULT IN A LIABILITY TO THE PAYMENT OF DAMAGES. ALL RIGHTS ARE RESERVED IN THE EVENT OF THE
 GRANT OF PATENT OR REGISTRATION OF A UTILITY MODEL OR DESIGN. THIS DOCUMENT IS THE SUBJECT OF COPYRIGHT.



FOR FLAT CONTACT
 FUER FLACHSTECKER IEC 760-6.3×0.8 *
 POUR LES CONTACT PLATS
 PER CONTATTO PIATTO

X CODE
 CODIERUNG
 CODE
 CODICE
DIN 72585-B1-4.1-Sn/K1



THERMAL RANGE OF APPLICATION
 THERMISCHER ANWENDUNGSBEREICH } -40° C...+80° C
 GAMME D'APPLICATION THERMIQUE
 CAMPO DI APPLICAZIONE TERMICA }
 TYPE OF PROTECTION (IN CONNECTION WITH PLUG)
 SCHUTZART (IN VERBINDUNG MIT STECKER) } SOCKET
 MODE DE PROTECTION (DANS CONNECTION AVEC FICHE) } STECKDOSE IP 6K 7
 TIPO DI PROTEZIONE (IN RELAZIONE CON SPINA) } PRISE DE COURANT IP 6K 9K
 PRESA DI CORRENTE }
 4-CORE CABLE
 LEITUNG 4-ADRIG }
 CABLE A 4-CONDUCTEURS } PUR
 CAVO A 4-CONDUTTORI } 4×1 mm²
 RESISTANT TO
 BESTAENDIG GEGEN } AIR, WATER, MINERAL OIL, PETROL, DIESELOIL, SALTSPRAY
 RESISTANT A } LUFT, WASSER, MINERALOEL, BENZIN, DIESELOEL, SALZSPRUEHNEBEL
 RESISTENTE A } AIR, EAU, HUILE MINERALE, ESSENCE, GASOIL, BROUILLARD SALIN
 ARIA, AQUA, OLIO, MINERALE, BENZINA, GASOLIO, NEBBIA SALINA
 SURFACE PROTECTION :
 OBERFLAECHENSCHUTZ : Sn
 PROTECTION DE SURFACE :
 PROTEZIONE SUPERFICI :

CHAMBER KAMMER CHAMBRE CAMERA	COLOR OF CORE ADERFARBE COULEUR DU FILS COLORANTE DEL FILI	LENGTH OF CABLE KABELLAENGE LONGUEUR DU CABLE LUNGHEZZA DEL CAVO
1	YELLOW GELB JAUNE GIALLO	100.0 _{±0}
2	RED ROT ROUGE ROSSO	100.0 _{±0}
3	GREEN GRUEN VERT VERDE	100.0 _{±0} (A)
4	BROWN BRAUN BRUN BRUNO	100.0 _{±0} (A)

CODE OF LENGTH LAENGENCODIERUNG CODE DE LA LONGUEUR CODICE DEL LUNGHEZZA	ORDER NUMBER BESTELLNUMMER NUMERO DE COMMANDE NUMERO DELL'ORDINE
	L [m] 449 422 □□□ 0
EXAMPLE BEISPIEL EXEMPLE ESEMPIO	L = 5m 449 422 050 0
MIN/MAX LENGTH MIN/MAX LAENGE MIN/MAX LONGUEUR MIN/MAX LUNGHEZZA	L _{min} = 0.1m L _{max} = 20.0m
TOLERANCES TOLERANZEN TOLERANCES TOLERANZA	L ≤ 10m ±0.050m L > 10m ±0.075m

GENERAL SPECIFICATION: JED-334		CADAM-DRAWING COPYRIGHT		WABCO	
FURTHER TECHNICAL DATA:		DATE	SIGNATURE	DRAWN: 96-04-29 WEBER	
DOC. CODE: SHEET: TO		CHECKED: 96-04-29 OVERHAGE		STANDARDIZATION: 96-04-29	
GENERAL TOLERANCES		MASS	SCALE	PRODUCT IDENTIFICATION NO.	
RANGE OF NOMINAL DIMENSIONS (± mm)		KG	1:1	449 422 000 0	
CLASS 1)	≤50 >50 >180 >400	SIZE	T.R.I.	DOC. CODE	SHEET
FINE	0,5 1,0 1,5 2,0	A 2	142	653	1/1
MEDIUM	1,0 2,0 3,0 4,0	SHAPE CODE		REPLACEMENT FOR	
COARSE	2,0 3,5 5,0 6,5	TAPPED HOLES ACC. ISO 4039 / JED-182		065187 2XA 98-06-24	
TOLERANCE CLASS APPLIED CROSSMARKED		DCN-NO.	REV.	DATE	DATE